

# TTGO

## TYPE: TG S, TG M TUBULAR MOTOR FOR SHUTTERS AND AWNINGS



**EN**  
Instructions and warnings  
for installation and use

**IT**  
Istruzioni ed avvertenze  
per l'installazione e l'uso

**FR**  
Instructions et avertissements  
pour l'installation  
et l'utilisation

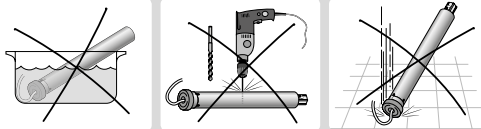
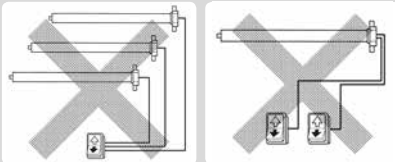
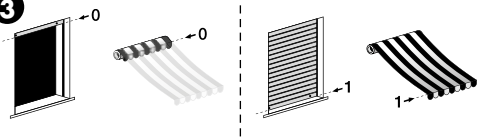
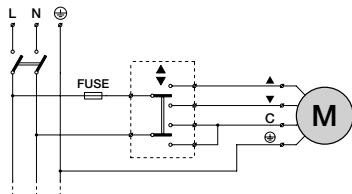
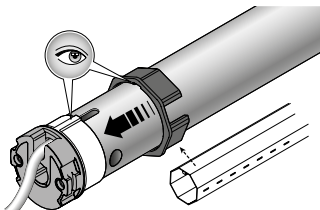
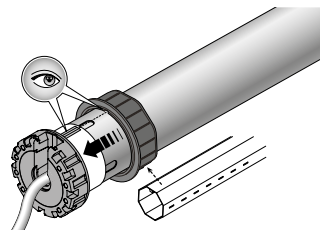
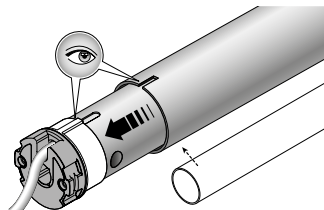
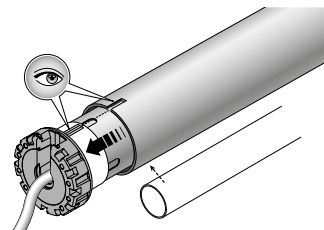
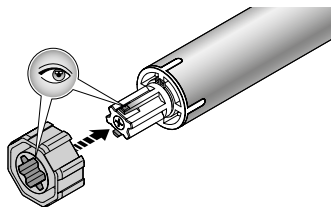
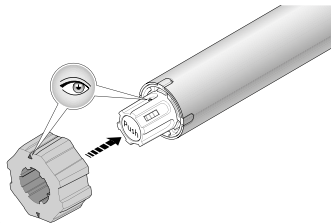
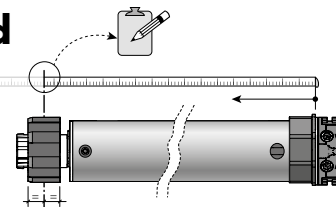
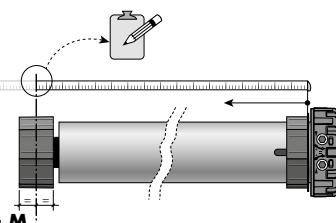
**ES**  
Instrucciones y advertencias  
para la instalación y el uso

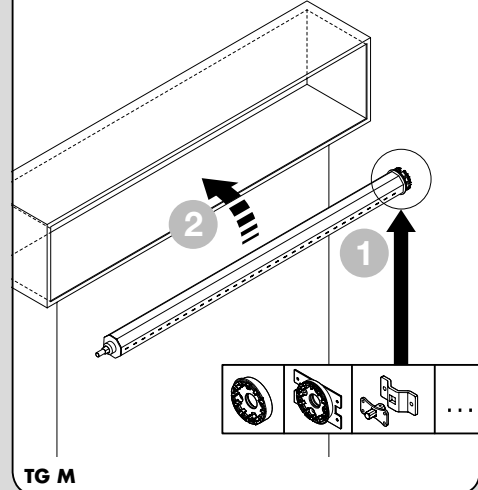
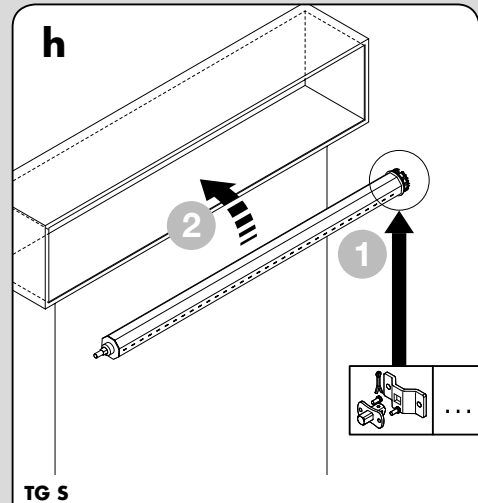
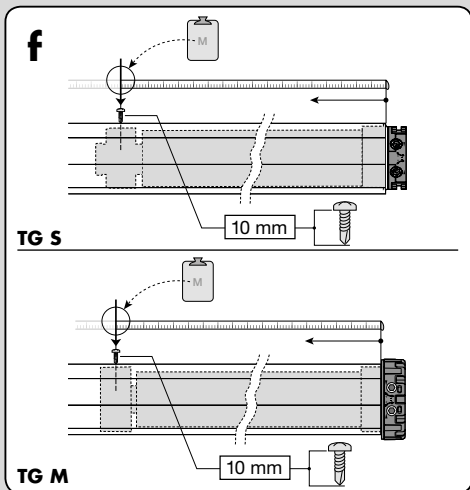
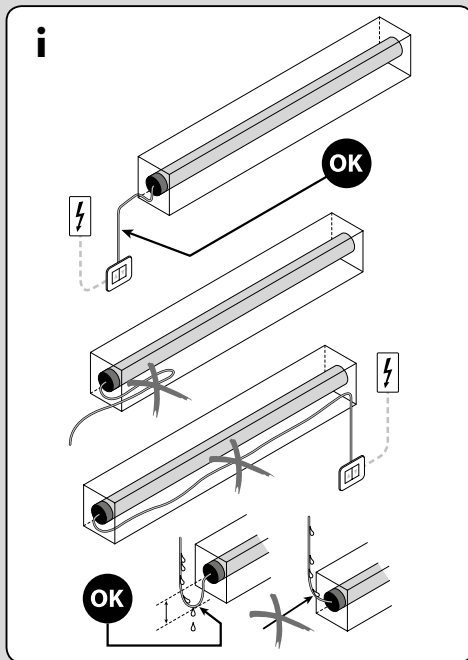
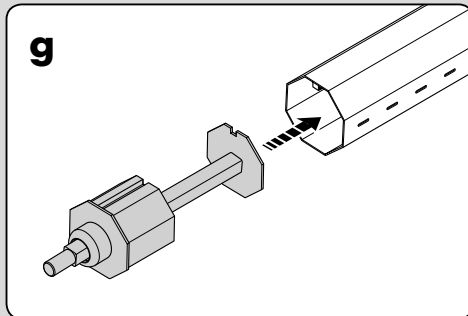
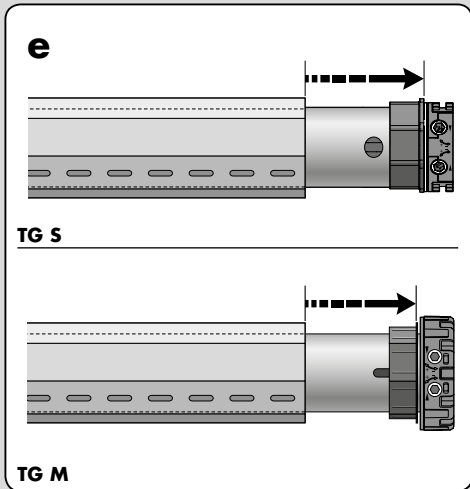
**DE**  
Installations - und  
Gebrauchsanleitung und  
Hinweise

**PL**  
Instrukcje i ostrzeżenia  
do instalacji i użytkowania

**NL**  
Aanwijzingen  
en aanbevelingen  
voor installatie en gebruik

CE

**1****2****3****4****5****a****TG S****TG M****b****TG S****TG M****c****TG S****TG M****d****TG S****TG M**



**Note for consulting this manual** – The figures referred to in the text appear at the beginning of the manual.



## 1 SAFETY WARNINGS AND PRECAUTIONS

### 1.1 • Safety warnings

- **PLEASE NOTE!** – It is important to observe the following instructions for personal safety. Incorrect installation could lead to serious injury. Therefore, it is important to read all sections of the manual prior to starting work and, in case of doubts, ask the installer/manufacturer for explanations.
- **CAUTION!** – Important safety instructions; save these instructions for future use. Keep this manual in a safe place to enable future product maintenance and disposal procedures.

### 1.2 • Installation warnings

- All product installation, connection, programming and maintenance operations must be performed exclusively by a qualified and skilled technician, in observance of laws, standards and local regulations and the instructions in this manual.
- Before installation, ensure that this specific product is suitable for the automation of your shutter (see chapter 3).
- All product installation and maintenance operations must be performed with the automation disconnected from the power mains. As a precaution, affix a notice with the text "WARNING: MAINTENANCE IN PROGRESS" on the disconnect device.
- Before starting installation procedures, move away all electric cables not involved in the work and deactivate all mechanisms not required for motor-driven operation of the shutter.
- If the product is installed at a height of less than 2.5 m from the floor or other support surface, the moving parts must be protected with a suitable covering, to avoid inadvertent access. For protection, refer to the instruction manual of the shutter, ensuring that future access for maintenance purposes is guaranteed.
- On sun awnings, a minimum horizontal distance of 40 cm must be guaranteed be-

- Between the awning completely open and any fixed object positioned in front.
  - During installation, handle the product with care, avoiding the risk of crushing, impact, dropping or contact with any type of liquid, do not insert sharp objects in the motor, do not drill or insert screws on the motor exterior and do not place the product in the vicinity of heat sources or naked flames (**fig. 1**).
- Such actions may damage the product and cause malfunctions or hazards. In such cases, immediately suspend installation and contact the installer/manufacturer.
- Do not disassemble the product in excess of the operations envisaged in this manual.
  - Never make any modifications to part of the product other than those specified in this manual. Operations other than as specified can only cause malfunctions. The manufacturer declines all liability for damage caused by makeshift modifications to the product.
  - The product power cable is in PVC; this makes it suitable for installation exclusively indoors. If installed outdoors, the cable must be covered with a protection ducting.
  - If the power cord is damaged, the product may not be used as the cord cannot be replaced. Should this occur, contact the installer/manufacturer.
  - During system set-up, keep all persons far from the shutter when moving.
  - To control the product, use exclusively hold-to-run type pushbuttons, i.e. which must remain pressed for the entire manoeuvre.
  - The product packaging material must be disposed of in full observance of current local legislation governing waste disposal.

### 1.3 • Operation warnings

- The product should not be used by children or people with impaired physical, sensorial or mental capacities or who have not received adequate training in the safe use of the product.
- Do not allow children to play with fixed control devices.
- Take care in the vicinity of the shutter / awning / screen when moving, and keep at a safe distance until the manoeuvre is completed.
- Frequently check the automation, to detect for imbalance, any signs of wear or damage to cables or springs (if present). Do not use the automation if adjustments or repairs are required. In this case always contact a specialised technician to solve the problem.



## 2 PRODUCT DESCRIPTION AND INTENDED USE

This product is a tubular motor designed for the automation of a shutter, sun awning or solar screen. **Any other use is strictly prohibited! The manufacturer declines all liability for damage resulting from improper use of the**



**product and other than as specified in this manual.**

The product has the following features:

- is powered by the mains electricity (verify compatibility on the label attached to the motor);
- designed to move the shutter in Ascent and Descent by means of wall-mounted push-buttons (not supplied in pack);
- is equipped with an electromechanical system that automatically shuts off power supply when the shutter reaches the set limit positions (fig. 3): position "0" (shutter totally retracted) and position "1" (shutter totally extended);
- the entire tubular motor is installed inside the shutter roller and the external face of this product can be mounted directly alongside the casing or by means of the relative support brackets (not supplied in pack);
- it is designed for residential use, i.e. discontinuous. It guarantees a continuous operating time of maximum 4 minutes;
- it is fitted with a thermal cut-out which in the event of overheating due to use of the automation in excess of the set limits, automatically shuts off the power supply and only restores operation when the temperature returns within the normal range.

 **3 PRODUCT INSTALLATION**

**3.1 • Preliminary checks – Application limits**

**Caution! – Before proceeding with installation, verify the following.**

- There are various versions of this product available, each designed to manage a specific motor torque. Each is designed to automate shutters / awnings / screens with specific dimensions and weight. Therefore, before proceeding with installation, to check that the characteristics of this motor (motor torque, rotation speed and operating time) are suitable for automating your shutter / awning / screen. **Caution! - Never install a motor with a greater motor torque than that required to move your shutter / awning / screen.**

Check the diameter of the winding roller. This must be chosen according to the motor torque, as follows:

- for motors that are size "M" (Ø = 45 mm) and have a torque of up to 30 Nm (included), the minimum inside diameter of the winding roller must be 52 mm;
- for motors that are size "M" (Ø = 45 mm) and have a torque of up to 30 Nm (included), the minimum inside diameter of the winding roller must be 60 mm.

**3.2 • Tubular motor installation**

To install the product, follow the phases shown in **fig. 5** and observe the following **warnings:**

- Incorrect installation can lead to serious injury.

 **4 ELECTRICAL CONNECTIONS**

**4.1 • Installing safety devices in the electrical mains**

In compliance with the electric installation rules, in the network that powers the motor, a short circuit protection device and a disconnection device from the mains electricity must be envisioned.

**Attention! – The disconnection device must allow the complete disconnection of the power supply, in the conditions established by the over-voltage category III.**

The disconnection device must be located in view of the automation and, if it is not visible, must envision a system that blocks any accidental or unauthorised re-connection of the power supply, in order to prevent any danger.

**Note** – The two devices are not present in the package.

**4.2 • Installation of the pushbutton strip**

**Recommendations:**

- Position the push button control panel in view of the winding device but away from its moving parts.
- Position the push button control panel on the side of the winding device, where there is the electric cable coming from the tubular motor and the mains electricity power supply cable.
- Position the buttons at a height over 1.5 m from the floor.

**4.3 • Connecting the motor to a control pushbutton panel and the electrical mains**

**Attention!**

- Incorrect connection can cause faults or dangerous situations, therefore scrupulously respect the instructions given in this paragraph.

- If the power cord is damaged, the product may not be used as the cord cannot be replaced. In such cases, contact the installer/manufacturer.

From an electrical perspective, the motor must be permanently powered by means of a permanent connection to the mains electricity (verify compatibility on the label attached to the motor). To connect the motor to a push-button control panel and the mains electricity, refer to **fig. 4**. The connection cable wires have the following function:

- **Brown** = electric ascent or descent phase.
- **Black** = electric ascent or descent phase.
- **Blue** = Common (normally connected to the Neutral).
- **Yellow-Green** = Ground (protective electrical bonding).

#### 4.4 • Associating the **Up** and **Down** movements with the respective pushbuttons

On completion of connections, power up the motor and check whether the Up and Down movements are associated correctly with the relative control pushbuttons. If this is not the case, invert the connection between the **Brown** and **Black** wires.



## 5

### LIMIT SWITCH ADJUSTMENT

#### 5.1 • Limit positions on opening and closing

During the up and down movements, the motor stops the shutter automatically when it reaches the limit switch positions (**fig. 3**): position **"0"** (shutter totally retracted) and position **"1"** (shutter totally extended). The factory settings of these positions are very approximate, and therefore follow the procedure below to adapt them to the specific dimensions of the roller shutter concerned.

#### 5.2 • Adjusting first limit position **"0"** and then limit position **"1"**

01. Move the shutter to position **"1"**.

**Align the adjustment screws with the respective limit positions:**

02. Stand in front of the shutter and note the following:
  - a) the location on the roller of the limit position adjustment screws: right or left?
  - b) if the extended section of the shutter is in front of or behind the roller.
03. Then refer to **fig. 6** and check which diagrams correspond to the situations a) and b) noted on your installation. **Very important – The identified diagram assigns a specific limit position to be set on each adjustment screw.**

**Setting limit position **"0"**:**

04. Activate the shutter so that it moves towards position **"0"** and wait for the motor to stop on activation of the limit switch pre-set with the factory settings.
 

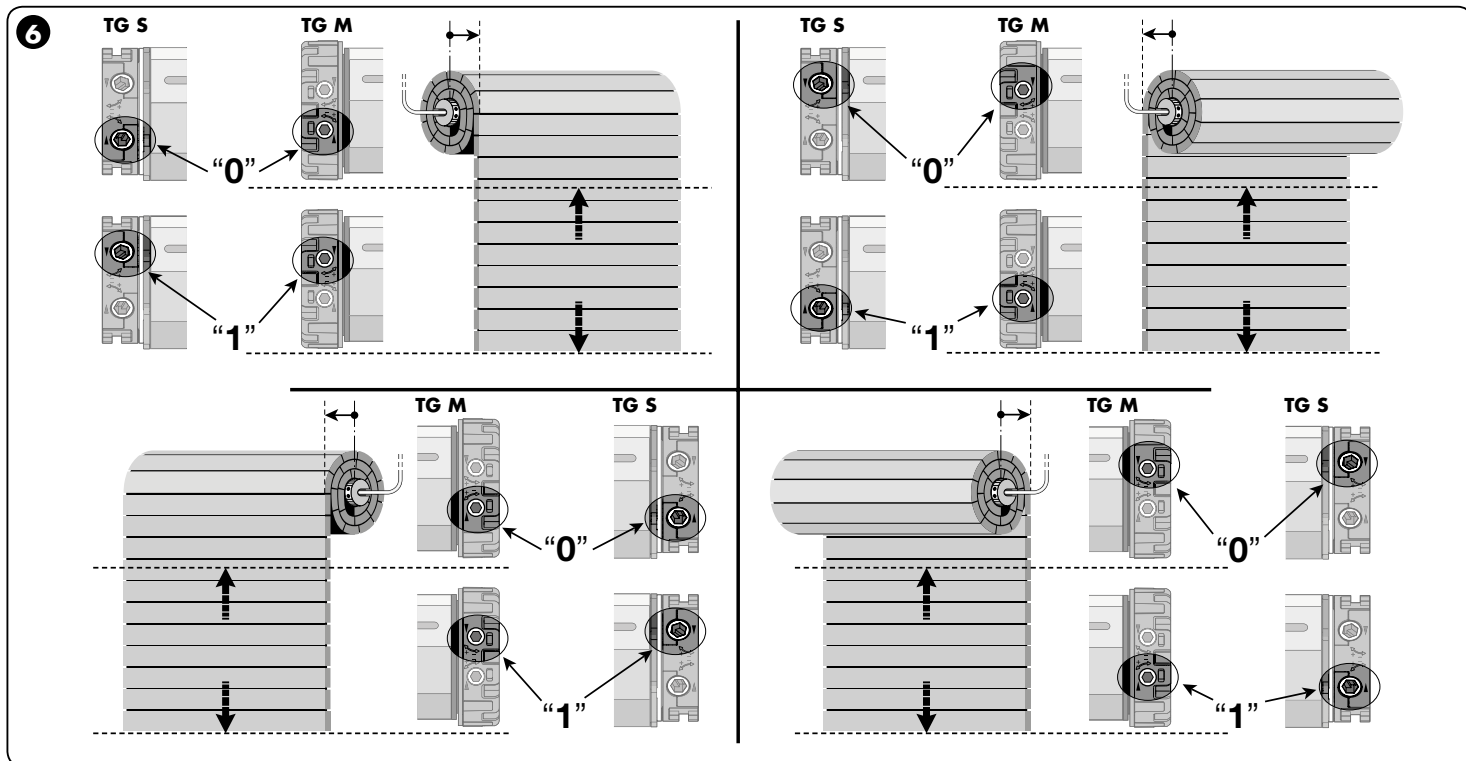
**Caution!** – If the shutter moves beyond the point at which limit switch **"0"** is to be fixed, stop movement and then activate the shutter to move it back to the starting position; then turn the adjustment screw of limit position **"0"** through a few turns in the direction of the **"–"** sign and repeat the procedure from point 04.
05. Gradually turn the adjustment screw of limit position **"0"** in the direction of the **"+"** sign, to the required stop position **"0"**. **Note** – on each turn of the screw, the motor moves to stop in the new position.

**Setting limit position **"1"**:**

06. Turn the adjustment screw of limit position **"1"** through a few turns in the direction of the **"–"** sign.
07. Activate the shutter so that it moves towards position **"1"** and wait for the motor to stop on activation of the limit switch pre-set with the factory settings.

**Caution!** – If the shutter moves beyond the point at which limit switch “1” is to be fixed, stop movement and then activate the shutter to move it back to the starting position; then turn the adjustment screw of limit position “1” through a few turns in the direction of the “-” sign and repeat the procedure from point 07.

- 08.** Gradually turn the adjustment screw of limit position “1” in the direction of the “+” sign, to the required stop position. **Note** – on each turn of the screw, the motor moves to stop in the new position.





## 6

## PRODUCT DISPOSAL

**This product is an integral part of the automation and therefore must be disposed together with the latter.**

As in installation, also at the end of product lifetime, the disassembly and scrapping operations must be performed by qualified personnel.

This product comprises various types of materials: some may be recycled others must be disposed of. Seek information on the recycling and disposal systems envisaged by the local regulations in your area for this product category.

**Caution!** – some parts of the product may contain pollutant or hazardous substances which, if disposed of into the environment, may cause serious damage to the environment or physical health.

As indicated by the symbol alongside, disposal of this product in domestic waste is strictly prohibited. Separate the waste into categories for disposal, according to the methods envisaged by current legislation in your area, or return the product to the retailer when purchasing a new version.

**Caution!** – Local legislation may envisage serious fines in the event of abusive disposal of this product.



## 7

WHAT TO DO IF...  
(troubleshooting guide)

**The motor does not move even if powered in an Ascent or Descent phase:**

- 1) check whether a thermal cut-out has tripped: In this case wait for the motor to cool;
- 2) check that the mains power is ON and that it corresponds to the values on the motor dataplate.
- 3) check whether the two limit switches, due to incorrect settings, engage at the same time; in this case rotate the two adjustment screws through a few turns, in the direction of the "+" sign.  
If – after these checks – the motor does not move, contact a qualified technician or the installer/manufacturer.



## TECHNICAL SPECIFICATIONS

● **Power supply voltage and frequency; current and power; torque and speed:** Refer to the technical data on the dataplate of each model. ● **Motor diameter:** TG S 35 mm; TG M 45 mm. ● **Nominal operating time:** Maximum 4 minutes. ● **Protection rating:** IP 44 (tubular motor). ● **Operating temperature:** -20°C (minimum). ● **Connection cable length:** TG S 2 m; TG M 2,5 m.

### Notes:

- All technical specifications stated in this section refer to an ambient temperature of 20°C (± 5°C).
- The producer reserves the right to apply modifications to the product at any time when deemed necessary, maintaining the same intended use and functionality.



## EU DECLARATION OF CONFORMITY

**Note:** The content of this declaration corresponds to the declaration made in the official document filed in the offices of Nice S.p.A., and particularly the latest version thereof available prior to the printing of this manual. The text contained here has been adapted to meet editorial requirements. A copy of the original declaration may be requested from Nice S.p.A. (TV) Italy.

**Declaration number:** 486/TTGO    **Revision:** 7    **Language:** EN

**Name of manufacturer:** Nice S.p.A.

**Address:** Via Pezza Alta n°13, 31046 Rustignè di Oderzo (TV) Italy

**Product type:** Tubular motor for screen and sun shutters

**Model/Type:** TG M 517, TG M 517, TG M 817, TG M 817, TG M 1517, TG M 1517, TGM 1517, TGM 3017, TGM 3017, TG M 3017, TG M 4017, TG M 4017, TG M 4017, TG M 4017, TG M 5017, TG M 5017, TG M 5017, TG S 619, TG S 1014

**Accessories:** -

The undersigned Roberto Griffa, as Chief Executive Officer, hereby declares under his own responsibility that the products identified above comply with the provisions of the following directives:

- Directive 2014/35/EU (LVD)
  - EN 60335-1:2002 + A1:2004 + A11:2004 + A12:2006 + A2:2006 + A13:2008 + A14:2010 + A15:2011
  - EN 60335-2-97:2006+A11:2008+A2:2010
  - EN 62233:2008
- Directive 2014/30/EU (EMC)
  - EN 55014-1:2006+A1:2009+A2:2011
  - EN 55014-2:2015
  - EN 61000-3-2:2014
  - EN 61000-3-3:2013

Oderzo, may 29 2017

Eng. **Roberto Griffa**  
(Chief Executive Officer)

**Nota per la lettura di questo manuale** – Le figure di riferimento al testo le potete trovare all'inizio del manuale.

## ▶ 1 AVVERTENZE E PRECAUZIONI PER LA SICUREZZA

### 1.1 • Avvertenze per la sicurezza

• **ATTENZIONE!** – Per la sicurezza delle persone è importante rispettare queste istruzioni.

Un'installazione errata può causare gravi ferite alle persone. Pertanto, prima di iniziare il lavoro è necessario leggere attentamente tutte le parti del manuale e, in caso di dubbi, chiedere chiarimenti all'installatore/produttore.

• **ATTENZIONE!** – Istruzioni importanti per la sicurezza; conservare queste istruzioni. Conservare questo manuale per eventuali interventi futuri di manutenzione e di smaltimento del prodotto.

### 1.2 • Avvertenze per l'installazione

• **Tutte le operazioni di installazione, di collegamento, di programmazione e di manutenzione del prodotto devono essere effettuate esclusivamente da un tecnico qualificato e competente, rispettando le leggi, le normative, i regolamenti locali e le istruzioni riportate in questo manuale.**

• Prima di iniziare l'installazione verificare se il presente prodotto è adatto ad automatizzare il vostro avvolgibile (leggere il capitolo 3).

• Tutte le operazioni di installazione e di manutenzione del prodotto devono essere effettuate con l'automatismo scollegato dall'alimentazione elettrica. Per precauzione, attaccare sul dispositivo di sconnessione un cartello con la scritta "ATTENZIONE! MANUTENZIONE IN CORSO".

• Prima di iniziare le operazioni di installazione, allontanare tutti i cavi elettrici che non sono coinvolti nel lavoro; inoltre, disattivare tutti i meccanismi non necessari al funzionamento motorizzato dell'avvolgibile.

• Se il prodotto è installato ad un'altezza inferiore a 2,5 m dal pavimento o da altra su-

perficie di appoggio, è necessario proteggere le sue parti in movimento con una copertura, per impedire l'accesso accidentale. Per la protezione fare riferimento al manuale istruzioni dell'avvolgibile garantendo in ogni caso l'accesso per gli interventi di manutenzione.

• Nelle tende da sole, è necessario garantire una distanza orizzontale minima di 40 cm tra la tenda completamente aperta e un eventuale oggetto fisso, posizionato di fronte.

• Durante l'installazione maneggiare con cura il prodotto: evitare schiacciamenti, urti, cadute o contatti con qualsiasi liquido; non introdurre oggetti appuntiti nel motore; non forare e non applicare viti all'esterno del motore; non mettere il prodotto vicino a fonti di calore e non esporlo a fiamme libere (fig. 1).

Queste azioni possono danneggiare il prodotto ed essere causa di malfunzionamenti o situazioni di pericolo. In questi casi sospendere immediatamente l'installazione e rivolgersi all'installatore/produttore.

• Non smontare il prodotto oltre alle operazioni previste in questo manuale.

• Non eseguire modifiche su nessuna parte del prodotto oltre a quelle riportate in questo manuale. Operazioni non permesse possono causare solo malfunzionamenti. Il costruttore declina ogni responsabilità per danni derivanti da modifiche arbitrarie al prodotto.

• Il cavo di alimentazione del prodotto è in PVC ed è adatto esclusivamente per essere installato all'interno. Se l'installazione avviene all'esterno, coprire tutto il cavo con un tubo di protezione.

• Se il cavo di alimentazione è danneggiato, il prodotto non può essere utilizzato perché il cavo non può essere sostituito. In questi casi, contattare l'installatore/produttore.

• Durante la realizzazione dell'impianto, mantenere le persone lontane dall'avvolgibile quando questo è in movimento.

• Per comandare il prodotto utilizzare esclusivamente pulsanti che funzionano a "uomo presente", cioè che occorre mantenerli premuti per l'intera durata della manovra.

• Il materiale dell'imballo del prodotto deve essere smaltito nel pieno rispetto della normativa locale.

### 1.3 • Avvertenze per l'uso

• Il prodotto non è destinato a essere usato da persone (bambini compresi) le cui capacità fisiche, sensoriali o mentali siano ridotte, oppure con mancanza di esperienza o di conoscenza, a meno che esse non abbiano potuto beneficiare, attraverso l'intermediazione di una persona responsabile della loro sicurezza, di una sorveglianza o di istruzioni riguardanti l'uso del prodotto.

• Non permettere ai bambini di giocare con i dispositivi di comando fissi.

• Fare attenzione all'avvolgibile quando questo è in movimento e mantenersi lontano da esso fino al completamento della manovra in atto.

• Quando si eseguono lavori di pulizia dei vetri nei pressi dell'automazione, non azionare i dispositivi di comando; se questi sono di tipo automatico, scollegare anche l'alimentazione elettrica.

• Sottoporre l'automazione ad esame frequente per verificare se ci sono sbilanciamenti

o segni di usura o danni ai cavi e alle molle (se questi sono presenti). Non utilizzare l'automazione se questa necessita di regolazioni o riparazione; rivolgersi esclusivamente a personale tecnico specializzato per la soluzione di questi problemi.

## 2 DESCRIZIONE DEL PRODOTTO E DESTINAZIONE D'USO

Il prodotto è un motore tubolare destinato all'automatizzazione di una tapparella, di una tenda da sole oppure di uno schermo solare. **Qualsiasi altro uso è vietato! Il produttore non risponde dei danni risultanti da un uso improprio del prodotto, rispetto a quanto descritto in questo manuale.**

Il prodotto ha le seguenti caratteristiche:

- è alimentato dalla rete elettrica (vedere compatibilità sull'etichetta presente sul motore);
- è in grado di muovere l'avvolgibile in Salita e in Discesa tramite dei pulsanti a parete (dispositivi non presenti nella confezione);
- è dotato di un sistema elettro-meccanico che interrompe automaticamente l'alimentazione quando l'avvolgibile raggiunge le posizioni di finecorsa impostate (**fig. 3**): posizione "0" (avvolgibile totalmente arrotolato) e posizione "1" (avvolgibile totalmente srotolato);
- l'intero motore tubolare si installa all'interno del rullo avvolgitore e la faccia esterna del presente prodotto può essere fissata direttamente al fianco del cassonetto oppure utilizzando apposite staffe di supporto (non presenti nella confezione);
- è progettato per l'uso residenziale e, dunque, discontinuo. Garantisce comunque un tempo di lavoro continuo di massimo 4 minuti;
- è dotato di un protettore termico che, in caso di surriscaldamento dovuto a un utilizzo dell'automazione oltre i limiti previsti, interrompe automaticamente l'alimentazione elettrica e la ripristina appena la temperatura si normalizza.

## 3 INSTALLAZIONE DEL PRODOTTO

### 3.1 • Verifiche preliminari - limiti d'impiego

**Attenzione! – Prima di procedere all'installazione, verificare i seguenti aspetti.**

- Il presente prodotto è disponibile in varie versioni, ciascuna con una determinata coppia motore. Ognuna di queste è progettata per automatizzare avvolgibili con determinate caratteristiche di dimensioni e peso. Quindi, prima di procedere all'installazione, verificare se le caratteristiche del presente motore (coppia motore, velocità di rotazione e tempo di funzionamento) sono adatte ad automatizzare il vostro avvolgibile. **Attenzione! - Non installare un motore con capacità di coppia motore maggiore di quella necessaria a muovere il vostro avvolgibile.**

Verificare il diametro del rullo avvolgitore. Questo deve essere scelto in base alla coppia del motore, nel modo seguente:

- per i motori con taglia "M" ( $\varnothing = 45$  mm) e coppia fino a 30 Nm (compresa), il diametro interno minimo del rullo avvolgitore deve essere di 52 mm;
- per i motori con taglia "M" ( $\varnothing = 45$  mm) e coppia maggiore di 30 Nm, il diametro interno minimo del rullo avvolgitore deve essere di 60 mm.

### 3.2 • Installazione del motore tubolare

Per installare il prodotto seguire le fasi illustrate in **fig. 5** e considerare le seguenti avvertenze:

- L'installazione non corretta può causare gravi ferite.

## 4 COLLEGAMENTI ELETTRICI

### 4.1 • Installazione dei dispositivi di protezione all'interno della rete di alimentazione elettrica

In conformità alle regole di installazione elettrica, nella rete che alimenta il motore è necessario prevedere un dispositivo di protezione contro il corto circuito e un dispositivo di sconnessione dalla rete elettrica.

**Attenzione!** – Il dispositivo di sconnessione deve consentire la disconnessione completa dell'alimentazione, nelle condizioni stabilite dalla categoria di sovratensione III.

Il dispositivo di sconnessione deve essere collocato in vista dell'automazione e, se non è visibile, deve prevedere un sistema che blocca un'eventuale riconnessione accidentale o non autorizzata dell'alimentazione, al fine di scongiurare qualsiasi pericolo.

**Nota** – I due dispositivi non sono presenti nella confezione.

## 4.2 • Installazione di una pulsantiera a parete

### Avvertenze:

- Posizionare la pulsantiera in vista dell'avvolgibile ma lontano dalle sue parti in movimento.
- Posizionare la pulsantiera sul lato dell'avvolgibile dove sono presenti il cavo elettrico proveniente dal motore tubolare e il cavo di alimentazione proveniente dalla rete elettrica.
- Posizionare i pulsanti ad un'altezza superiore a 1,5 m dal pavimento.

## 4.3 • Collegamento del motore a una pulsantiera di comando e alla rete elettrica

### Attenzione!

- Un collegamento errato può provocare guasti o situazioni di pericolo; quindi, rispettare scrupolosamente le istruzioni di questo paragrafo.
- Se il cavo di alimentazione è danneggiato, il prodotto non può essere utilizzato perché il cavo non può essere sostituito. In questi casi, contattare l'installatore/produttore.

Dal punto di vista elettrico il motore deve essere alimentato in modo permanente, attraverso un collegamento permanente alla rete di distribuzione elettrica (vedere compatibilità sull'etichetta presente sul motore). Per collegare il motore a una pulsantiera di comando e alla rete elettrica fare riferimento alla **fig. 4**. I conduttori del cavo di collegamento hanno il seguente impiego:

- **Colore Marrone** = Fase elettrica di salita o discesa.
- **Colore Nero** = Fase elettrica di salita o discesa.
- **Colore Blu** = Comune (di solito collegato al Neutro).
- **Colore Giallo-verde** = Terra (collegamento equipotenziale di protezione).

## 4.4 • Abbinamento dei movimenti di Salita e Discesa ai rispettivi pulsanti

Al termine dei collegamenti, alimentare il motore e verificare se i movimenti di Salita e Discesa sono correttamente abbinati ai rispettivi pulsanti di comando. Se non è così, invertire il collegamento tra i conduttori **Marrone** e **Nero**.



## REGOLAZIONE DEI FINECORSA

### 5.1 • I finecorsa in chiusura e in apertura

Durante il movimento di salita e discesa il motore ferma automaticamente l'avvolgibile quando questo raggiunge le posizioni di finecorsa (**fig. 3**): posizione "0" (avvolgibile totalmente arrotolato) e posizione "1" (avvolgibile totalmente srotolato). Di fabbrica queste posizioni sono fissate in modo approssimativo e, per adeguarle alle dimensioni specifiche del vostro avvolgibile, utilizzare la procedura descritta di seguito.

### 5.2 • Come regolare prima il finecorsa "0" e poi il finecorsa "1"

01. Portare l'avvolgibile in posizione "1".

#### Abbinare le viti di regolazione ai rispettivi finecorsa:

02. Mettersi di fronte all'avvolgibile e osservare:
  - a) a quale estremità del rullo si trovano le viti di regolazione dei finecorsa: a destra o a sinistra?
  - b) se la parte srotolata dell'avvolgibile si trova davanti o dietro il rullo.
03. Quindi osservare la **fig. 6** e individuare tra gli schemi riportati quello che corrisponde alla situazione a) e b) osservata nella vostra installazione. **Molto importante** – Lo schema individuato assegna ad ogni vite di regolazione un determinato finecorsa da regolare.

#### Regolare il finecorsa "0":

04. Comandare l'avvolgibile in modo che questo si muova verso la posizione "0" e attendere che il motore si fermi per l'intervento del finecorsa pre-regolato in fabbrica.

**Attenzione!** – Se l'avvolgibile supera il punto in cui si desidera fissare il finecorsa "0", fermare il movimento; quindi, comandare l'avvolgibile per farlo ritornare nella posizione di partenza; ruotare di qualche giro, in direzione del segno "–", la vite di regolazione relativa al finecorsa "0" e, infine, ripetere la procedura dal punto 04.

05. Ruotare poco per volta, in direzione del segno "+", la vite di regolazione relativa al finecorsa "0", fino ad ottenere la posizione di arresto "0" desiderata. **Nota** - ad ogni



giro di vite il motore avanza, fermandosi nella nuova posizione.

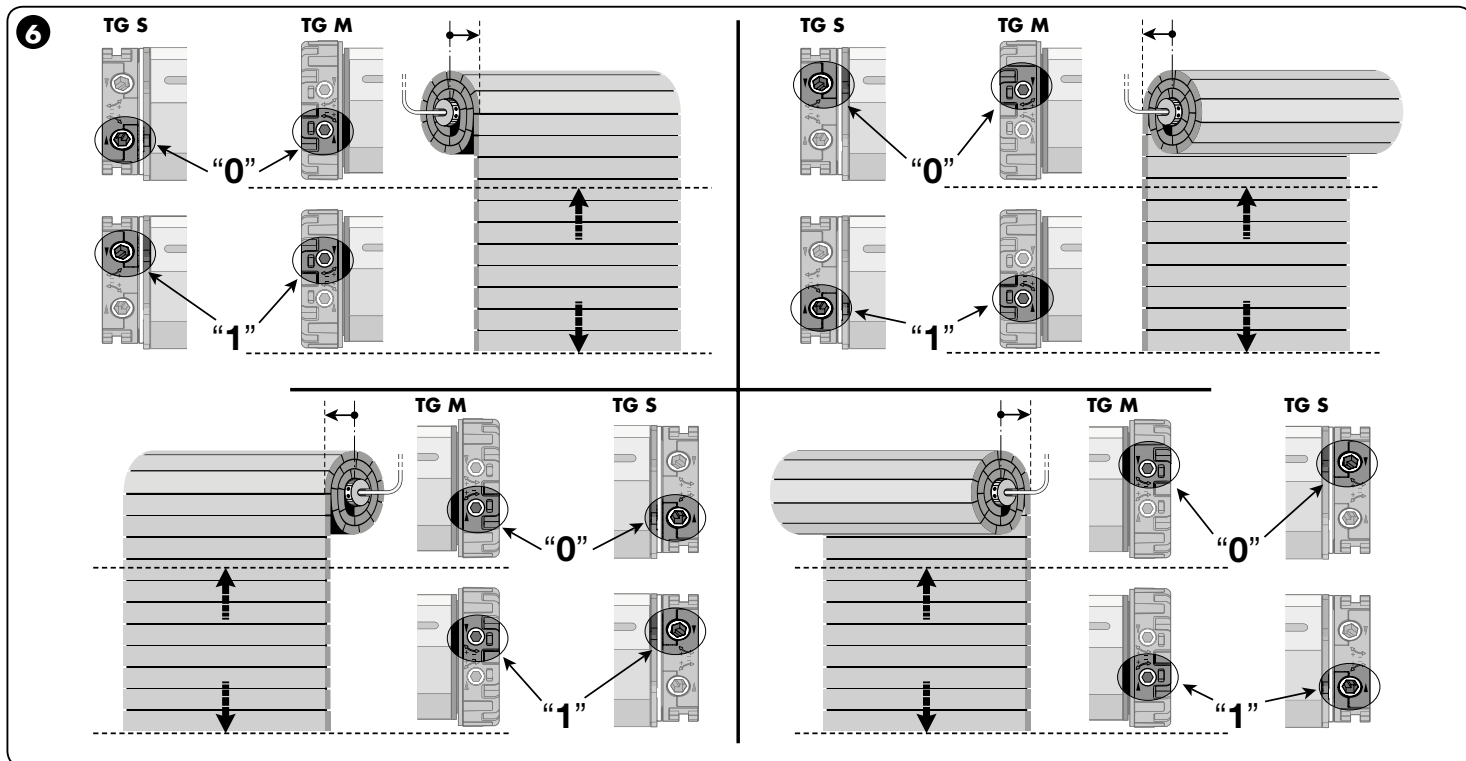
### Regolare il finecorsa "1":

06. Ruotare di qualche giro, in direzione del segno "-", la vite di regolazione relativa al finecorsa "1".
07. Comandare l'avvolgibile in modo che questo si muova verso la posizione "1" e attendere che il motore si fermi per l'intervento del finecorsa pre-regolato in fabbrica.

**Attenzione!** - Se l'avvolgibile supera il punto in cui si desidera fissare il finecorsa

"1", fermare il movimento; quindi, comandare l'avvolgibile per farlo ritornare nella posizione di partenza; ruotare di qualche giro, in direzione del segno "-", la vite di regolazione relativa al finecorsa "1" e, infine, ripetere la procedura dal punto 07.

08. Ruotare poco per volta, in direzione del segno "+", la vite di regolazione relativa al finecorsa "1", fino ad ottenere la posizione di arresto "1" desiderata. **Nota** - ad ogni giro di vite il motore avanza, fermandosi nella nuova posizione.



**6**

## SMALTIMENTO DEL PRODOTTO

**Questo prodotto è parte integrante dell'automazione, e dunque, deve essere smaltito insieme con essa.**

Come per le operazioni d'installazione, anche al termine della vita di questo prodotto, le operazioni di smantellamento devono essere eseguite da personale qualificato. Questo prodotto è costituito da vari tipi di materiali: alcuni possono essere riciclati, altri devono essere smaltiti. Informatevi sui sistemi di riciclaggio o smaltimento previsti dai regolamenti vigenti sul vostro territorio, per questa categoria di prodotto.

**Attenzione!** – alcune parti del prodotto possono contenere sostanze inquinanti o pericolose che, se disperse nell'ambiente, potrebbero provocare effetti dannosi sull'ambiente stesso e sulla salute umana.

Come indicato dal simbolo a lato, è vietato gettare questo prodotto nei rifiuti domestici. Eseguire quindi la "raccolta separata" per lo smaltimento, secondo i metodi previsti dai regolamenti vigenti sul vostro territorio, oppure riconsegnare il prodotto al venditore nel momento dell'acquisto di un nuovo prodotto equivalente.

**Attenzione!** – i regolamenti vigenti a livello locale possono prevedere pesanti sanzioni in caso di smaltimento abusivo di questo prodotto.

**7**

## COSA FARE SE... (guida alla soluzione dei problemi)

**Il motore non si muove nonostante sia alimentata una fase di Salita o Discesa:**

- 1)** verificare se è in atto la protezione termica: in questo caso basta aspettare che il motore si raffreddi;
- 2)** verificare se c'è tensione di rete e se questa corrisponde ai valori riportati nei dati di targa del motore;
- 3)** verificare se i due finecorsa, a causa di un'errata regolazione, si attivano contemporaneamente; in questo caso ruotare le due viti di regolazione di alcuni giri, in direzione del segno "+".  
Se dopo questi controlli il motore non si muove, rivolgersi ad un tecnico qualificato, oppure contattare l'installatore/produttore.

**8**

## CARATTERISTICHE TECNICHE

● **Tensione di alimentazione e frequenza; corrente e potenza; coppia e velocità:** Vedere dati tecnici sull'etichetta di ogni modello. ● **Diametro del motore:** TG S 35 mm; TG M 45 mm. ● **Tempo nominale di funzionamento:** Massimo 4 minuti. ● **Grado di protezione:** IP 44 (motore tubolare). ● **Temperatura di funzionamento:** -20°C (minimo). ● **Lunghezza cavo di connessione:** TG S 2 m; TG M 2,5 m.

### Note:

- Tutte le caratteristiche tecniche riportate sono riferite ad una temperatura ambientale di 20°C (± 5°C).
- Il produttore si riserva il diritto di apportare modifiche al prodotto in qualsiasi momento lo riterrà necessario, mantenendone le stesse funzionalità e destinazione d'uso.

**9**

## DICHIARAZIONE UE DI CONFORMITÀ

**Nota:** Il contenuto di questa dichiarazione corrisponde a quanto dichiarato nel documento ufficiale depositato presso la sede di Nice S.p.A., e in particolare, alla sua ultima revisione disponibile prima della stampa di questo manuale. Il testo qui presente è stato riadattato per motivi editoriali. Copia della dichiarazione originale può essere richiesta a Nice S.p.A. (TV) Italy.

**Numero dichiarazione:** 486/TTGO    **Revisione:** 7    **Lingua:** IT

**Nome Produttore:** Nice S.p.A.  
**Indirizzo:** Via Pezza Alta n°13, 31046 Rustignè di Oderzo (TV) Italy

**Tipo di prodotto:** Motore tubolare per avvolgibili e tende da sole  
**Modello/Tipo:** TGM517, TGM517, TGM817, TGM817, TGM1517, TG M 1517, TG M 1517, TG M 3017, TG M 3017, TG M 3017, TG M 4017, TG M 4017, TG M 4017, TG M 5017, TG M 5017, TG M 5017, TG S 619, TG S 1014

### Accessori:

Il sottoscritto Roberto Griffa in qualità di Amministratore Delegato, dichiara sotto la propria responsabilità che il prodotto sopra indicato risulta conforme alle disposizioni imposte dalle seguenti direttive:

- Direttiva 2014/35/UE (LVD)  
 EN 60335-1:2002 + A1:2004 + A11:2004 + A12:2006 + A2:2006 + A13:2008 + A14:2010 + A15:2011  
 EN 60335-2-97:2006+A11:2008+A2:2010  
 EN 62233:2008
- Direttiva 2014/30/UE (EMC)  
 EN 55014-1:2006+A1:2009+A2:2011  
 EN 55014-2:2015  
 EN 61000-3-2:2014  
 EN 61000-3-3:2013

Oderzo, 29 maggio 2017

Ing. **Roberto Griffa**  
 (Amministratore Delegato)

**Note concernant la lecture de ce guide** – Toutes les figures indiquées comme référence dans le texte se trouvent au début du manuel.

## 1 AVERTISSEMENTS ET PRECAUTIONS POUR LA SÉCURITÉ

### 1.1 • Recommandations pour la sécurité

- **ATTENTION ! – Pour la sécurité des personnes, il est important de respecter ces instructions.** Une mauvaise installation peut provoquer des blessures graves aux personnes. Par conséquent, avant de commencer le travail, lire attentivement toutes les parties du manuel et en cas de doutes, demander des précisions à l'installateur ou au producteur.
- **ATTENTION ! – Instructions importantes pour la sécurité; conserver ces instructions.** Conserver avec soin ce guide pour faciliter les éventuelles interventions futures de maintenance ou de mise au rebut du produit.

### 1.2 • Avertissements pour l'installation

- **Toutes les opérations d'installation, de connexion, de programmation et de maintenance du produit doivent être effectuées exclusivement par un technicien qualifié et compétent, en respectant les lois, les normes, les réglementations locales et les instructions reportées dans ce guide.**
- Avant de commencer l'installation vérifier si le présent produit est adapté à automatiser le store ou le volet roulant auquel il est destiné (lire le chapitre 3).
- Toutes les opérations d'installation ou de maintenance doivent être effectuées avec l'automatisme déconnecté de l'alimentation électrique. Par précaution, attacher au dispositif de déconnexion un panneau avec les mots «ATTENTION ! MAINTENANCE EN COURS».
- Avant de commencer les opérations d'installation, éloigner tous les câbles électriques qui ne sont pas concernés par le travail ; désactiver en outre tous les mécanismes non nécessaires au fonctionnement motorisé du store ou du volet roulant.
- Si le produit est installé à une hauteur inférieure à 2,5 m du sol (ou d'une autre surface d'appui), il faut protéger les parties en mouvement de l'automatisme par un carter

pour empêcher un accès accidentel. Pour la protection se référer au guide d'instructions du store ou du volet roulant en garantissant dans tous les cas l'accès pour les interventions de maintenance.

- Pour les stores, il est important de garantir une distance horizontale de 40 cm minimum entre le store complètement ouvert et un éventuel obstacle situé devant lui.
- Durant l'installation manipuler avec soin le produit : éviter les écrasements, les chocs, les chutes ou les contacts avec n'importe quel liquide ; ne pas introduire d'objets pointus dans le moteur ; ne pas percer ni appliquer de vis à l'extérieur du moteur ; ne pas mettre le produit à proximité de sources de chaleur ni l'exposer à des flammes vives (**fig. 1**).

Ces actions peuvent endommager le produit et causer des problèmes de fonctionnement ou des situations de danger. Si cela se produit, suspendre immédiatement l'installation et s'adresser à l'installateur ou au producteur.

- Ne pas démonter le produit en dehors des opérations prévues dans ce guide.
- Ne pas effectuer de modifications sur une partie quelconque du dispositif en dehors de celles indiquées dans ce guide. Des opérations non autorisées ne peuvent que provoquer des problèmes de fonctionnement. Le constructeur décline toute responsabilité pour les dommages dérivant de modifications arbitraires au produit.
- Le câble d'alimentation du produit est en PVC et est adapté exclusivement pour être installé à l'intérieur. Si l'installation est effectuée à l'extérieur, couvrir tout le câble avec une goulotte de protection.
- Si le câble d'alimentation est endommagé, le produit ne peut pas être utilisé car le câble n'est pas remplaçable. Dans ce cas, contacter l'installateur ou le producteur.
- Pendant la réalisation de l'installation, maintenir les personnes à distance du store ou du volet roulant quand il est en mouvement.
- Pour commander le produit, utiliser exclusivement des touches du type « commande à action maintenue », c'est-à-dire qu'il faut les maintenir enfoncées pendant toute la durée de la manœuvre.
- Les matériaux de l'emballage du produit doivent être mis au rebut dans le plein respect des normes locales en vigueur.

### 1.3 • Recommandations pour l'utilisation

- Le produit n'est pas destiné à être utilisé par des personnes (enfants compris) aux capacités physiques, sensorielles ou mentales réduites, ou manquant d'expérience ou de connaissances, à moins que celles-ci aient pu bénéficier, par l'intermédiaire d'une personne responsable de leur sécurité, d'une surveillance ou d'instructions sur l'utilisation du produit.
- Ne pas laisser les enfants jouer avec les dispositifs de commande fixes.
- Faire attention au store ou volet roulant quand il est en mouvement et rester à distance jusqu'à la fin de la manœuvre en cours.
- Quand on effectue des travaux de nettoyage des vitres près de l'automatisme, ne pas actionner les dispositifs de commande ; si ces dispositifs sont de type automatique, déconnecter aussi l'alimentation électrique.

- Contrôler fréquemment l'automatisme pour vérifier qu'il n'y a pas de déséquilibres ni de signes d'usure ou dommages aux câbles et aux ressorts (s'ils sont présents). Ne pas utiliser l'automatisme si celui-ci a besoin de réglages ou de réparations ; s'adresser exclusivement à du personnel technique spécialisé pour la solution de ces problèmes.

## 2 DESCRIPTION DU PRODUIT ET TYPE D'UTILISATION

Le produit est un moteur tubulaire destiné à l'automatisation d'un volet roulant, d'un store intérieur ou extérieur. **Toute autre utilisation est impropre et interdite. Le producteur ne répond pas des dommages résultant d'une utilisation impropre du produit, différents de ce qui est prévu dans ce guide.**

Le produit a les caractéristiques suivantes :

- il est alimenté par le secteur (voir compatibilité sur l'étiquette appliquée sur le moteur) ;
- il est en mesure de manœuvrer le store ou le volet roulant en Montée et en Descente à l'aide de touches murales (dispositifs non présents dans l'emballage).
- il est équipé d'un système électromécanique qui interrompt automatiquement l'alimentation quand le volet roulant ou le store atteint les positions de fin de course programmées (**fig. 3**) : position « 0 » (store ou volet entièrement enroulé) et position « 1 » (store ou volet entièrement déroulé) ;
- tout le moteur tubulaire s'installe à l'intérieur du tube d'enroulement et la face externe du présent produit peut être fixée directement au côté du caisson ou en utilisant des pattes de support (non présentes dans l'emballage) ;
- il est conçu pour un usage résidentiel et donc, discontinu. Il garantit dans tous les cas un temps de travail continu de 4 minutes maximum ;
- Il est muni d'un protecteur thermique qui, en cas de surchauffe due à une utilisation de l'automatisme dépassant les limites prévues, interrompt automatiquement l'alimentation électrique et la rétablit dès que la température se normalise.

## 3 INSTALLATION DU PRODUIT

### 3.1 • Contrôles préliminaires - limites d'utilisation

**Attention ! – Avant de procéder à l'installation, vérifier les aspects suivants**

- Le présent produit est disponible en différentes versions, chacune avec un couple moteur donné.

Chacune de ces versions est conçue pour automatiser des stores ou des volets roulants ayant des caractéristiques de dimensions et de poids données. Par conséquent, avant de procéder à l'installation, pour vérifier si les caractéristiques de ce moteur (couple moteur, vitesse de rotation et temps de fonctionnement) sont adaptées pour automatiser le store ou le volet roulant en question.

**Attention ! - Ne pas installer un moteur d'une capacité de couple supérieure à la capacité nécessaire pour manœuvrer le store ou le volet roulant.**

Vérifier le diamètre du tambour enrouleur. Celui-ci doit être choisi à partir du couple moteur de la façon suivante :

- pour les moteurs de taille « M » ( $\varnothing = 45$  mm) et couple jusqu'à 30 Nm (compris), le diamètre interne minimum du tambour enrouleur doit être de 52 mm ;
- pour les moteurs de taille « M » ( $\varnothing = 45$  mm) et couple supérieur à 30 Nm, le diamètre interne minimum du tambour enrouleur doit être de 60 mm.

### 3.2 • Installation du moteur tubulaire

Pour installer le produit suivre les phases illustrées **fig. 5** et respecter les **recommandations** qui suivent :

- Une installation incorrecte peut causer de graves blessures.

## 4 BRANCHEMENTS ÉLECTRIQUES

### 4.1 • Installation des dispositifs de protection sur la ligne d'alimentation électrique

Conformément aux règles d'installation électrique, il faut prévoir dans le réseau électrique alimentant le moteur un dispositif de protection contre le court-circuit et un dispositif de déconnexion du réseau électrique.

**Attention ! – Le dispositif de déconnexion doit permettre la déconnexion complète de l'alimentation, dans les conditions établies par la catégorie de surtension III.**

Il faut positionner le dispositif de déconnexion près de l'automatisation et, s'il n'est pas visible, il doit prévoir un système de blocage de l'éventuelle reconnexion accidentelle ou non autorisée de l'alimentation pour éviter tout type de danger.

**Note** – Les deux dispositifs ne sont pas inclus dans l'emballage.

## 4.2 • Installation d'un boîtier au mur

### Mises en garde :

- Positionner le boîtier près de l'enrouleur mais loin de ses parties en mouvement.
- Positionner le boîtier sur le côté de l'enrouleur où se trouvent le câble électrique provenant du moteur tubulaire et le câble d'alimentation provenant du réseau électrique.
- Positionner les boutons à une hauteur supérieure à 1,5 m du sol.

## 4.3 • Branchement du moteur à un clavier de commande et au secteur

### Attention !

- Une mauvaise connexion peut provoquer des pannes ou des situations de danger, veuillez respecter scrupuleusement les instructions de ce paragraphe.
- Si le câble d'alimentation est endommagé, le produit ne peut pas être utilisé car le câble n'est pas remplaçable. Dans ce cas, contacter l'installateur ou le producteur.

Le moteur doit être alimenté électriquement de façon permanente, par le biais d'un raccordement permanent au secteur (voir compatibilité sur l'étiquette appliquée sur le moteur). Pour connecter le moteur à un tableau de commande et au secteur, se référer à la **fig. 4**. Les conducteurs du câble de raccordement servent à :

- **Marron** = Phase électrique de montée ou descente.
- **Noir** = Phase électrique de montée ou descente.
- **Bleu** = Commun (généralement connecté au Neutre).
- **Jaune-vert** = Terre (connexion équipotentielle de protection).

## 4.4 • Association des mouvements de Montée et de Descente aux touches respectives

À la fin des connexions, alimenter le moteur et vérifier si les mouvements de Montée et de Descente sont correctement associées aux touches de commande respectives. Si ce n'est pas le cas, inverser la connexion entre les conducteurs **Marron** et **Noir**.



# 5

## RÉGLAGE DES FINS DE COURSE

### 5.1 • Les fins de course en fermeture et en ouverture

Durant le mouvement de montée et de descente le moteur arrête automatiquement le store ou le volet quand celui-ci atteint les positions de fin de course (**fig. 3**) : position « 0 » (store ou volet entièrement enroulé) et position « 1 » (store ou volet entièrement déroulé). En usine, ces positions sont fixées de manière approximative et pour les adapter aux dimensions spécifiques de votre store ou volet, utiliser la procédure décrite ci-après.

### 5.2 • Comment régler d'abord le fin de course « 0 » puis le fin de course « 1 »

01. Mettre le store ou le volet dans la position « 1 ».

#### **Associer les vis de réglage aux fins de course respectifs :**

02. Se placer face au store ou volet et observer :
  - a) à quelle extrémité du tube se trouvent les vis de réglage des fins de course : à droite ou à gauche ?
  - b) si la partie déroulée du tablier se trouve devant ou derrière le tube.
03. Observer ensuite la **fig. 6** et identifier parmi les schémas celui qui correspond à la situation a) et b) observée dans votre installation. **Très important – Le schéma identifié attribue à chaque vis de réglage un fin de course donné à régler.**

#### **Régler le fin de course « 0 » :**

04. Commander le volet ou le store de manière qu'il se déplace vers la position « 0 » et attendre que le moteur s'arrête, du fait de l'intervention du fin de course tel qu'il est réglé en usine.

**Attention !** – Si le store ou le volet dépasse le point où l'on souhaite fixer le fin de course « 0 », arrêter le mouvement ; ensuite, commander le volet ou le store pour le faire revenir dans la position de départ ; tourner de quelques tours, vers le signe « - », la vis de réglage relative au fin de course « 0 » puis répéter la procédure à partir du point 04.
05. Tourner un peu à la fois, vers le signe « + », la vis de réglage relative au fin de course « 0 », jusqu'à la position d'arrêt « 0 » désirée. **Note** – à chaque tour de vis, le moteur avance, en s'arrêtant dans la nouvelle position.

#### **Régler le fin de course « 1 » :**

06. Tourner de quelques tours, vers le signe « - », la vis de réglage relative au fin de

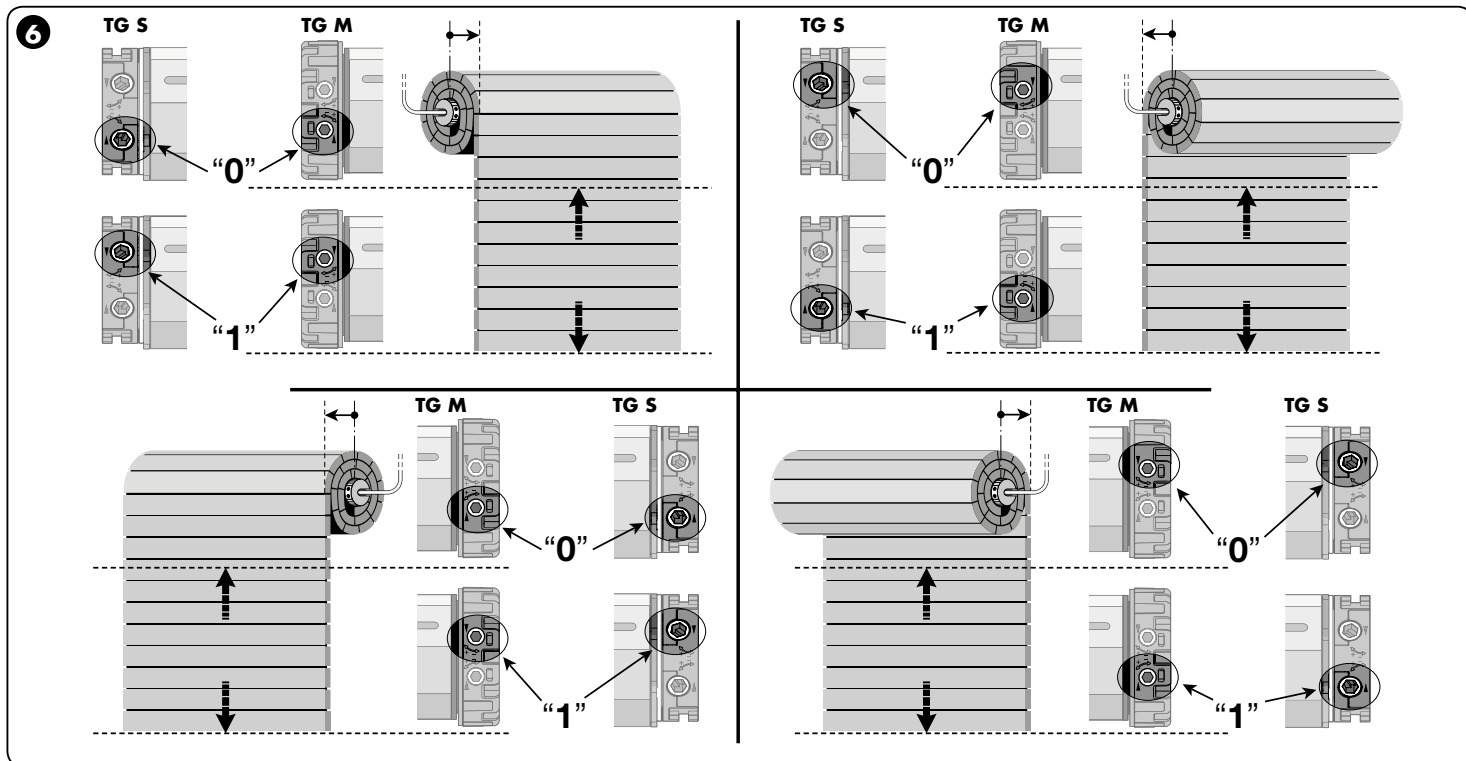
course « 1 ».

- 07.** Commander le volet ou le store de manière qu'il se déplace vers la position « 1 » et attendre que le moteur s'arrête, du fait de l'intervention du fin de course tel qu'il est réglé en usine.

**Attention !** – Si le store ou le volet dépasse le point où l'on souhaite fixer le fin de course « 1 », arrêter le mouvement ; ensuite, commander le volet ou le store pour

le faire revenir dans la position de départ ; tourner de quelques tours, vers le signe « - », la vis de réglage relative au fin de course « 1 » puis répéter la procédure à partir du point 07.

- 08.** Tourner un peu à la fois, vers le signe « + », la vis de réglage relative au fin de course « 1 », jusqu'à la position d'arrêt « 1 » désirée. **Note** - à chaque tour de vis, le moteur avance, en s'arrêtant dans la nouvelle position.



**6**

## MISE AU REBUT DU PRODUIT

**Ce produit est partie intégrante de l'automatisme et doit donc être mis au rebut avec ce dernier.**

Comme pour l'installation, à la fin de la durée de vie de ce produit, les opérations de démantèlement doivent être effectuées par du personnel qualifié.

Ce produit est constitué de différents types de matériaux : certains peuvent être recyclés, d'autres doivent être mis au rebut. Informez-vous sur les systèmes de recyclage ou de mise au rebut prévus par les règlements, en vigueur dans votre pays, pour cette catégorie de produit.

**Attention !** – certains composants du produit peuvent contenir des substances polluantes ou dangereuses qui pourraient avoir des effets nuisibles sur l'environnement et sur la santé des personnes s'ils étaient jetés dans la nature.

Comme l'indique le symbole ci-contre, il est interdit de jeter ce produit avec les ordures ménagères. Par conséquent, utiliser la méthode de la "collecte sélective" pour la mise au rebut des composants conformément aux prescriptions des normes en vigueur dans le pays d'utilisation ou restituer le produit au vendeur lors de l'achat d'un nouveau produit équivalent.



**Attention !** – les règlements locaux en vigueur peuvent appliquer de lourdes sanctions en cas d'élimination illicite de ce produit.

**7**

## QUI FAIRE SI ... (guide pour la résolution des problèmes)

**Le moteur ne bouge pas bien qu'une phase de Montée ou de Descente soit alimentée :**

- 1) vérifier si la protection thermique est intervenue : dans ce cas, il suffit d'attendre que le moteur refroidisse ;
- 2) vérifier si la tension de secteur est présente et si elle correspond aux valeurs figurant sur la plaque du moteur ;
- 3) vérifier si les deux fins de course s'activent en même temps à cause d'une erreur de réglage ; dans ce cas tourner les deux vis de réglage de quelques tours, vers le signe « + ».

Si après avoir effectué ces contrôles, le moteur ne se déplace pas, s'adresser à un technicien qualifié ou bien contacter l'installateur ou le producteur.



**8**

## CARACTÉRISTIQUES TECHNIQUES

● **Tension d'alimentation et fréquence ; Courant et puissance ; Couple et vitesse :** voir données techniques sur l'étiquette de chaque modèle. ● **Diamètre du moteur:** TG S 35 mm; TG M 45 mm. ● **Temps nominal de fonctionnement:** maximum 4 minutes. ● **Indice de protection :** IP 44 (moteur tubulaire). ● **Température de fonctionnement :** -20°C (minimum). ● **Longueur câble de connexion :** TG S 2 m; TG M 2,5 m.

### Notes :

- Toutes les caractéristiques techniques indiquées se réfèrent à une température ambiante de 20°C (± 5°C).
- Le fabricant se réserve le droit d'apporter des modifications aux produits à tout moment si elle le jugera nécessaire, en garantissant dans tous les cas le même bon fonctionnement et le type d'utilisation prévus.

**9**

## DÉCLARATION UE DE CONFORMITÉ

**Note:** Le contenu de cette déclaration correspond à ce qui a été déclaré dans le document officiel déposé au siège social de Nice S.p.A. et, en particulier, à la dernière mise à jour disponible avant l'impression de ce manuel. Le présent texte a été réadapté pour raisons d'édition. Une copie de la déclaration originale peut être demandée à Nice S.p.A. (TV) - Italy.

**Numéro de déclaration :** 486/TTGO      **Révision :** 7      **Langue :** FR

**Nom du fabricant :** Nice S.p.A.

**Adresse :** Via Pezza Alta n°13, 31046 Rustigné di Oderzo (TV) Italy

**Type de produit :** Moteur tubulaire pour volets roulants et stores

**Modèle/Type :** TGM517, TGM517, TGM817, TGM817, TGM1517, TG M 1517, TG M 1517, TG M 3017, TG M 3017, TG M 3017, TG M 4017, TG M 4017, TG M 4017, TG M 5017, TG M 5017, TG M 5017, TG S 619, TG S 1014

### Accessoires :

Le soussigné Roberto Griffa, en qualité de Chief Executive Officer, déclare sous son entière responsabilité que les produits sus-indiqués sont conformes aux dispositions prescrites par les directives suivantes :

- Directive 2014/35/UE (LVD)  
EN 60335-1:2002 + A1:2004 + A11:2004 + A12:2006 + A2:2006 + A13:2008 + A14:2010 + A15:2011  
EN 60335-2-97:2006+A11:2008+A2:2010  
EN 62233:2008
- Directive 2014/30/UE (EMC)  
EN 55014-1:2006+A1:2009+A2:2011  
EN 55014-2:2015  
EN 61000-3-2:2014  
EN 61000-3-3:2013

Oderzo, le 21 mai 2017

Ing. **Roberto Griffa**  
(Chief Executive Officer)

**Nota para la lectura de este manual** – Las figuras de referencia del texto se encuentran al comienzo del manual.



# 1

## ADVERTENCIAS Y PRECAUCIONES DE SEGURIDAD

### 1.1 • Advertencias de seguridad

- **¡ATENCIÓN! – Es importante respetar estas instrucciones para garantizar la seguridad de las personas.** Una instalación errónea puede causar lesiones graves a las personas. Por tanto, antes de empezar a trabajar, es preciso leer detenidamente todos los apartados del manual y, en caso de dudas, pedir aclaraciones al instalador o al fabricante.
- **¡ATENCIÓN! – Instrucciones importantes para la seguridad; conserve estas instrucciones.** Guarde este manual para cuando deba llevar a cabo los trabajos de mantenimiento o cuando deba eliminar el producto.

### 1.2 • Advertencias para la instalación

- **Todas las operaciones de instalación, conexión, programación y mantenimiento del producto deben ser llevadas a cabo exclusivamente por un técnico cualificado y competente, respetando las leyes, normativas y reglas locales y las instrucciones dadas en este manual.**
- Antes de comenzar la instalación, controle si el producto es adecuado para automatizar la persiana o el toldo (lea el capítulo 3).
- Todas las operaciones de instalación y mantenimiento del producto deben ser llevadas a cabo con el automatismo desconectado de la alimentación eléctrica. Por motivos de precaución, cuelgue del dispositivo de desconexión un cartel que indique “¡ATENCIÓN! MANTENIMIENTO EJECUTÁNDOSE”.
- Antes de comenzar los trabajos de instalación, aleje todos los cables eléctricos innecesarios; desactive todos los mecanismos superfluos para el funcionamiento motorizado de la persiana o del toldo.
- Si el producto se instalará a menos de 2,50 m de altura del suelo, o de otra super-

ficie de apoyo, es necesario proteger con una cubierta las piezas móviles para que no puedan ser tocadas accidentalmente. Para la protección, consulte el manual de instrucciones de la persiana/toldo, garantizando siempre el acceso para los trabajos de mantenimiento.

- En los toldos es necesario garantizar una distancia horizontal mínima de 40 cm entre el toldo completamente abierto y un objeto fijo colocado delante.
- Durante la instalación manipule con cuidado el producto: trate de evitar aplastamientos, golpes, caídas o contactos con cualquier líquido; no introduzca objetos puntiagudos en el motor; no perforo ni aplique tornillos en la parte exterior del motor; no coloque el producto cerca de fuentes de calor y no lo exponga al fuego (**fig. 1**). El producto podría sufrir algún daño a causa de estas acciones que, además, podrían generar situaciones peligrosas o un funcionamiento inadecuado. En una situación de este tipo, interrumpa la instalación de inmediato y remítase al instalador o al fabricante.
- Desmonte el producto únicamente como indicado en este manual.
- No realice modificaciones en ninguna pieza del producto, salvo aquellas indicadas en este manual. Las operaciones no permitidas pueden provocar desperfectos de funcionamiento. El fabricante no se asumirá ninguna responsabilidad por daños originados por modificaciones arbitrarias hechas al producto.
- El cable de alimentación del producto es de PVC y sirve sólo para ser instalado en interiores. Si la instalación se realizara en exteriores, cubra todo el cable con un tubo de protección.
- Si el cable de alimentación se daña, el producto no se puede utilizar más, porque el cable no se puede sustituir. En este caso, contactar con el instalador o el fabricante.
- Durante la instalación, mantenga a las personas lejos de la persiana o del toldo cuando estén en movimiento.
- Para accionar el producto utilice únicamente los botones que funcionan con el sistema de “hombre presente”, es decir aquellos que hay que mantener pulsados durante todo el movimiento.
- El material de embalaje del producto debe eliminarse respetando la normativa local.

### 1.3 • Advertencias para el uso

- El producto no está destinado para ser utilizado por personas (niños incluidos) cuyas capacidades físicas, sensoriales o mentales sean reducidas, o sin experiencia ni conocimientos, salvo que éstas estén acompañadas por una persona responsable de su seguridad o hayan sido instruidas sobre el uso del producto.
- No permita que los niños jueguen con los dispositivos de mando fijos.
- Tenga cuidado con el elemento enrollable mientras se mueve y manténgase alejado hasta que concluya su movimiento.
- Cuando limpie los vidrios cerca del automatismo, no accione los dispositivos de mando; si dichos dispositivos son automáticos, desconecte la alimentación eléctrica.
- Examine a menudo el automatismo para comprobar si está desequilibrado o desgastado o si los cables y los muelles están dañados (en su caso). No utilice el automa-

tismo si necesitara ser regulado o reparado; contacte exclusivamente con personal especializado para solucionar estos problemas.

## 2 DESCRIPCIÓN DEL PRODUCTO Y USO PREVISTO

El producto es un motor tubular destinado a la automatización de una persiana, un toldo o un screen solar. **¡Cualquier otro uso está prohibido! El fabricante no responde de los daños que pudieran surgir por un uso inadecuado del producto y diferente de aquel previsto en este manual.**

Las características del producto son las siguientes:

- se alimenta por red eléctrica (ver la compatibilidad en la etiqueta aplicada al motor);
- los movimientos de Subida y Bajada de la persiana/toldo se activan con botones de pared (dispositivos no incluidos en el paquete);
- incorpora un sistema electromecánico que interrumpe automáticamente la alimentación cuando el elemento enrollable alcanza las posiciones de fin de carrera configuradas (**fig. 3**): posición "0" (elemento totalmente enrollado) y posición "1" (elemento totalmente desenrollado);
- el motor tubular se instala completamente en el interior del tubo de enrollamiento y la cara exterior del producto puede fijarse directamente al costado del cofre, o bien utilizando estribos de soporte específicos (no incluidos en el paquete);
- el producto ha sido diseñado para uso residencial y, por lo tanto, para un uso discontinuo. De todas maneras, garantiza un tiempo de funcionamiento continuo de 4 minutos como máximo;
- incorpora un protector térmico que, en caso de sobrecalentamiento debido a un uso superior a los límites previstos, interrumpe automáticamente la alimentación eléctrica y la restablece ni bien la temperatura se normaliza.

## 3 INSTALACION DEL PRODUCTO

**3.1 • Controles preliminares – límites de empleo**  
**¡Atención! – Antes de comenzar la instalación, controle los siguientes aspectos.**

- Este producto está disponible en varias versiones, cada una de ellas con un determinado par del motor. Cada una de las versiones ha sido diseñada para automatizar elementos enrollables con determinadas características de dimensiones y peso. Por consiguiente, antes de proceder con la instalación, comprobar que las características

de dicho motor (par, velocidad de rotación y tiempo de funcionamiento) sean adecuadas para automatizar su elemento enrollable. **¡Atención! - No instale un motor con una capacidad de par superior a aquella necesaria para mover el elemento enrollable.**

Compruebe el diámetro del cilindro de enrollamiento, ya que este debe elegirse en función del par motor. Para ello, es necesario tener en cuenta lo siguiente:

- Para los motores de talla "M" ( $\varnothing = 45$  mm) y con par motor de hasta 30 Nm (inclusive), el diámetro interior mínimo del cilindro de enrollamiento debe ser de 52 mm.
- Para los motores con talla "M" ( $\varnothing = 45$  mm) y con par motor superior a 30 Nm, el diámetro interior mínimo del cilindro de enrollamiento debe ser de 60 mm.

## 3.2 • Instalación del motor tubular

Para instalar el producto, siga las etapas que se muestran en la **fig. 5** y tenga en cuenta las siguientes **advertencias**:

- La instalación incorrecta puede provocar heridas graves.

## 4 CONEXIONES ELÉCTRICAS

### 4.1 • Instalación de los dispositivos de protección en la red de alimentación eléctrica

En conformidad con las reglas de instalación eléctrica, es preciso que la red que alimenta el motor cuente con un dispositivo de protección contra cortocircuitos y con un dispositivo de desconexión de la red eléctrica.

**¡Atención! – El dispositivo de desconexión debe permitir la desconexión completa de la alimentación, en las condiciones establecidas en la categoría de sobretensión III.**

El dispositivo de desconexión debe estar puesto en un lugar visible del sistema de automatización y, de no ser así, debe llevar un sistema que permita bloquear cualquier reconexión accidental o no autorizada de la alimentación, para evitar riesgos.

**Nota** – Estos dos dispositivos no se encuentran en el embalaje.

## 4.2 • Instalación de una botonera de pared

### Advertencias:

- Sitúe la botonera de manera que se vea en la persiana enrollable pero lejos de sus partes en movimiento.
- Sitúe la botonera en el lado de la persiana enrollable donde se encuentran el cable eléctrico del motor tubular y el cable de alimentación que proviene de la red eléctrica.
- Sitúe los pulsadores a una altura de más de 1,5 m desde el suelo.

## 4.3 • Conexión del motor a una botonera de mando y a la red eléctrica

### ¡Atención!

- Una conexión incorrecta puede provocar averías o situaciones de peligro; por tanto, respete rigurosamente las instrucciones recogidas en esta sección.
- Si el cable de alimentación se daña, el producto no se puede utilizar más, porque el cable no se puede sustituir. En este caso, contactar con el instalador o el fabricante.

El motor se debe alimentar eléctricamente de manera permanente, a través de una conexión permanente a la red de distribución eléctrica (ver la compatibilidad en la etiqueta aplicada al motor). Para conectar el motor a una botonera de mando y a la red eléctrica consultar la **fig. 4**. Los conductores del cable de conexión tienen las siguientes funciones:

- **Color Marrón** = Fase eléctrica de subida o bajada.
- **Color Negro** = Fase eléctrica de subida o bajada.
- **Color Azul** = Común (generalmente conectado al Neutro).
- **Color Amarillo-Verde** = Tierra (conexión equipotencial de protección).

## 4.4 • Combinación de los movimientos de Subida y Bajada con los botones respectivos

Al concluir las conexiones, alimente el motor y controle si los movimientos de Subida y Bajada están combinados correctamente con los botones de mando respectivos. Si así no fuera, invierta la conexión entre los conductores **Marrón** y **Negro**.



# 5

## REGULACIÓN DE LOS FINES DE CARRERA

### 5.1 • Los fines de carrera para apertura y cierre

Durante el movimiento de subida y bajada el motor detiene automáticamente el elemento enrollable cuando éste alcanza las posiciones de fin de carrera (**fig. 3**): posición "0" (elemento totalmente enrollado) y posición "1" (elemento totalmente desenrollado). Estas posiciones se configuran en fábrica de forma aproximativa y, para adecuarlas a las dimensiones específicas de su elemento enrollable, hay que utilizar el procedimiento descrito a continuación.

### 5.2 • Cómo regular primero el fin de carrera "0" y después el fin de carrera "1"

01. Coloque el elemento enrollable en posición "1".

**Acople los tornillos de regulación con los fines de carrera correspondientes:**

02. Colóquese frente al elemento enrollable y observe:

- a) ¿En qué extremo del tubo se hallan los tornillos de regulación del fin de carrera: a la derecha o a la izquierda?
- b) si la parte desenrollada del elemento se encuentra adelante o detrás del tubo.

03. Entonces, observe la **fig. 6** y localice entre los esquemas indicados aquel que corresponda a la situación a) y b) observada en su instalación. **Muy importante - El esquema asigna a cada tornillo de regulación un fin de carrera determinado que éste ha de regular.**

**Regulación del fin de carrera "0":**

04. Accione el elemento enrollable de manera que se mueva hacia la posición "0" y espere a que el motor se detenga a causa del accionamiento del fin de carrera prerregulado en fábrica.

**¡Atención!** - Si el elemento enrollable supera el punto en que se desea configurar el fin de carrera "0", detenga el movimiento; entonces, accione el elemento enrollable para hacerlo volver a la posición inicial; gire algunas vueltas, en dirección al signo "-", el tornillo de regulación correspondiente al fin de carrera "0" y, por último, repita el procedimiento desde el punto 04.

05. Gire un poco cada vez, en dirección al signo "+", el tornillo de regulación correspondiente al fin de carrera "0", hasta obtener la posición de parada "0" deseada.

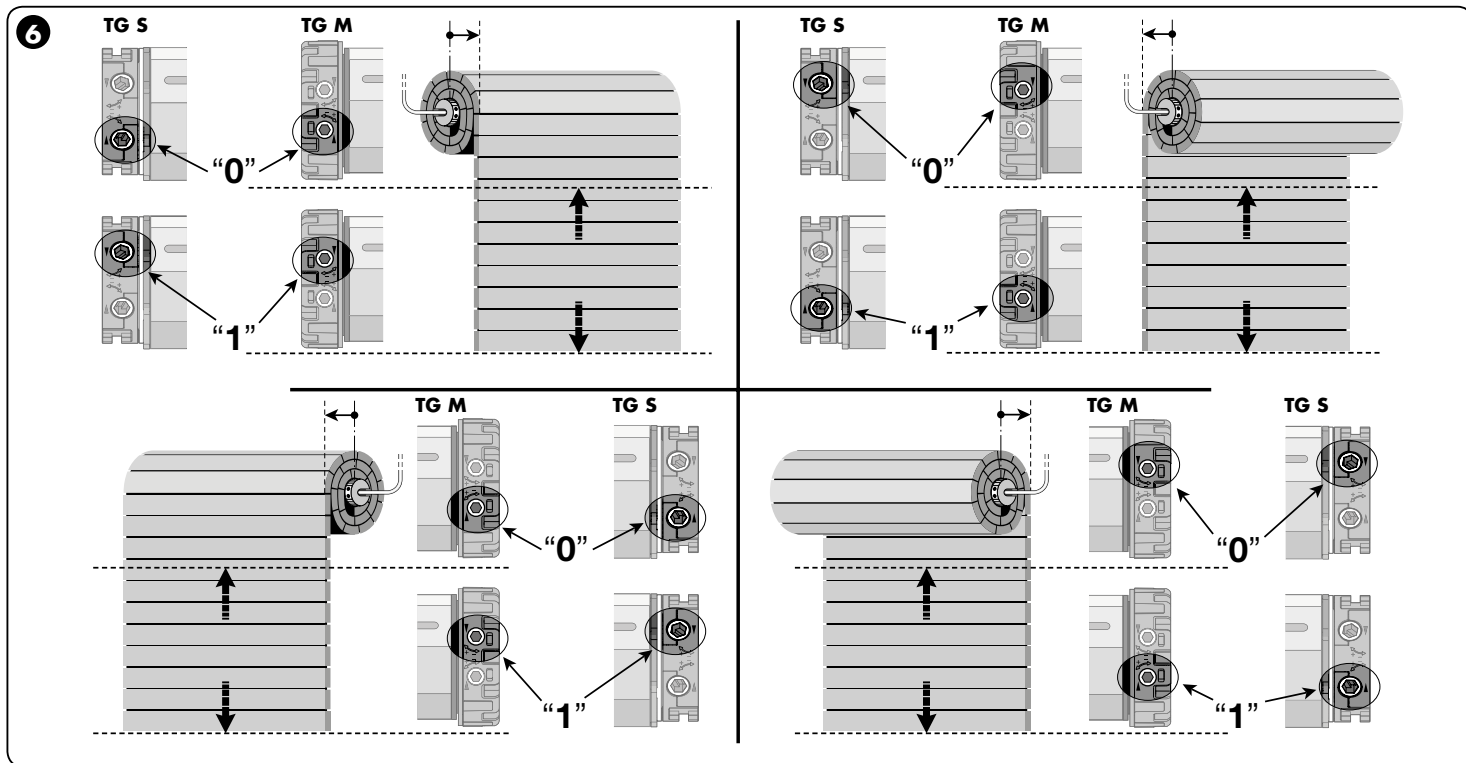
**Nota** – con cada vuelta de tornillo el motor avanza, deteniéndose en la nueva posición.

### Regulación del fin de carrera "1":

06. Gire algunas vueltas, en dirección del signo "-", el tornillo de regulación correspondiente al fin de carrera "1".
07. Accione el elemento enrollable de manera que se mueva hacia la posición "1" y espere a que el motor se detenga a causa del accionamiento del fin de carrera prerregulado en fábrica.

**¡Atención!** – Si el elemento enrollable supera el punto en que se desea configurar el fin de carrera "1", detenga el movimiento; entonces, accione el elemento enrollable para hacerlo volver a la posición inicial; gire algunas vueltas, en dirección al signo "-", el tornillo de regulación correspondiente al fin de carrera "1" y, por último, repita el procedimiento desde el punto 07.

08. Gire un poco cada vez, en dirección al signo "+", el tornillo de regulación correspondiente al fin de carrera "1", hasta obtener la posición de parada "1" deseada.  
**Nota** - con cada vuelta de tornillo el motor avanza, deteniéndose en la nueva posición.



**6**

## ELIMINACIÓN DEL PRODUCTO

**Este producto forma parte integrante del automatismo y, por consiguiente, deberá ser eliminado junto con éste.**

Al igual que para las operaciones de instalación, también al final de la vida útil de este producto las operaciones de desguace deberán ser llevadas a cabo por personal experto.

Este producto está formado de varios tipos de materiales: algunos podrán ser reciclados y otros deberán ser eliminados. Infórmese sobre los sistemas de reciclaje o de eliminación previstos por las normativas vigentes locales para esta categoría de producto.

**¡Atención!** – algunas piezas del producto pueden contener sustancias contaminantes o peligrosas que, si se las abandonara en el medio ambiente, podrían provocar efectos perjudiciales para el mismo medio ambiente y para la salud humana.

Tal como indicado por el símbolo de aquí al lado, está prohibido arrojar este producto en los residuos urbanos. Realice la "recogida selectiva" para la eliminación, según los métodos previstos por las normativas vigentes locales, o bien entregue el producto al vendedor cuando compre un nuevo producto equivalente.



**¡Atención!** – las normas locales vigentes pueden prever sanciones importantes en el caso de eliminación abusiva de este producto.

**7**

## QUÉ HACER SI... (guía para solucionar los problemas)

**El motor no se mueve a pesar de que esté alimentada una fase de Subida o Bajada:**

- 1)** podría haberse desconectado la protección térmica; en dicho caso hay que esperar a que el motor se enfríe.
- 2)** controle que haya tensión de red y si ésta corresponde a los valores indicados en la placa de características del motor;
- 3)** controle si los dos fines de carrera se activan contemporáneamente debido a una regulación incorrecta; en este caso, gire los dos tornillos de regulación algunas vueltas hacia la dirección del signo "+".  
Si después de estos controles el motor no se activa, acudir a un técnico cualificado, o contactar con el instalador o el fabricante.

**8**

## CARACTERÍSTICAS TÉCNICAS

● **Tensión de alimentación y frecuencia; corriente y potencia; par y velocidad:** Véanse los datos técnicos en la etiqueta de cada modelo. ● **Diámetro del motor:** TG S 35 mm; TG M 45 mm. ● **Tiempo nominal de funcionamiento:** máximo 4 minutos. ● **Grado de protección:** IP 44 (motor tubular). ● **Temperatura de funcionamiento:** -20°C (mínimo). ● **Longitud del cable de conexión:** TG S 2 m; TG M 2,5 m.

### Notas:

- Todas las características técnicas indicadas se refieren a una temperatura ambiental de 20°C (± 5°C).
- El fabricante se reserva el derecho de modificar el producto cuando lo considere necesario, manteniendo las mismas funciones y el mismo uso previsto.

**9**

## DECLARACIÓN DE CONFORMIDAD UE

**Nota:** El contenido de la presente declaración se corresponde con cuanto se declara en el documento oficial presentado en la sede de Nice S.p.A. y, en particular, con la última revisión disponible antes de la impresión de este manual. El texto aquí contenido se ha adaptado por cuestiones editoriales. No obstante, se puede solicitar una copia de la declaración original a Nice S.p.A. (TV) Italy.

**Número de declaración:** 486/TTGO    **Revisión:** 7    **Idioma:** ES

**Nombre del fabricante:** Nice S.p.A.

**Dirección:** Via Pezza Alta n°13, 31046 Rustignè di Oderzo (TV) Italy

**Tipo de producto:** Motor tubular para cortinas enrollables y toldos

**Modelo/Tipo:** TGM517, TGM517, TGM817, TGM817, TGM1517, TG M 1517, TG M 1517, TG M 3017, TG M 3017, TG M 3017, TG M 4017, TG M 4017, TG M 4017, TG M 5017, TG M 5017, TG M 5017, TG S 619, TG S 1014

### Accesorios:

El abajo firmante Roberto Griffa, en calidad de Chief Executive Officer, bajo su propia responsabilidad, declara que los productos arriba indicados cumplen con las disposiciones contempladas en las siguientes Directivas:

- Directiva 2014/35/UE (LVD)  
EN 60335-1:2002 + A1:2004 + A11:2004 + A12:2006 + A2:2006 + A13:2008 + A14:2010 + A15:2011  
EN 60335-2-97:2006+A11:2008+A2:2010  
EN 62233:2008
- Directiva 2014/30/UE (EMC)  
EN 55014-1:2006+A1:2009+A2:2011  
EN 55014-2:2015  
EN 61000-3-2:2014  
EN 61000-3-3:2013

Oderzo, 21 de mayo 2017

Ing. **Roberto Griffa**  
(Chief Executive Officer)

**ES**

**Hinweis zum Lesen dieser Gebrauchsanleitung** – Die im Text genannten Zahlen befinden sich am Anfang des Handbuchs.

## HINWEISE UND VORSICHTSMASSNAHMEN FÜR IHRE SICHERHEIT

### 1.1 • Hinweise für Ihre Sicherheit

- **ACHTUNG! – Für die Sicherheit von Personen ist es wichtig, sich an diese Anweisungen zu halten.** Eine falsche Installation kann zu schweren Verletzungen führen. Deshalb ist es wichtig, alle Abschnitte des Handbuchs vor Beginn der Arbeit gelesen zu haben. Im Falle von Unklarheit wenden Sie sich an den Installateur/Hersteller.
- **ACHTUNG! – Für die Sicherheit wichtige Anweisungen – aufbewahren!** Dieses Handbuch für eventuelle zukünftige Wartungsarbeiten und zur Entsorgung des Produkts aufbewahren.

### 1.2 • Hinweise für die Installation

- **Alle Installationen, Anschlüsse, Programmierungen und Wartungen des Produkts dürfen nur von qualifiziertem und kompetentem Personal bei Einhaltung der Gesetze, der örtlichen Vorschriften und der in diesem Handbuch aufgeführten Anleitungen ausgeführt werden.**
- Vor dem Beginn der Installation prüfen, ob dieses Produkt dazu geeignet ist, Ihren Rollladen zu automatisieren (siehe Kapitel 3).
- Alle Installations- und Wartungsarbeiten des Produkts müssen bei von der Stromspeisung getrennter Automatisierung ausgeführt werden. Zur Sicherheit an den Trennvorrichtungen ein Schild mit der Aufschrift „ACHTUNG! WARTUNGSARBEITEN“ anbringen.
- Vor dem Beginn der Installationsarbeiten alle Stromkabel entfernen, die nicht zur Arbeit gehören, außerdem alle zum Betrieb des Rollladens notwendigen Mechanismen deaktivieren.
- Wenn das Produkt bei einer Höhe unter 2,5 vom Boden oder auf einer anderen Auflagefläche installiert wird, müssen seine sich bewegenden Teile mit einer Abdeckung ge-

schützt werden, um einen unerwünschten Zugang zu vermeiden. Bezüglich des Schutzes bezieht man sich auf die Gebrauchsanleitung des Rollladens, wobei jedoch der Zugang für Wartungsarbeiten gewährleistet werden muss.

- Bei Markisen ist es dagegen notwendig, einen waagrechten Mindestabstand von 40 cm zwischen der vollständig geöffneten Jalousie und einem eventuell davor liegenden festen Gegenstand zu garantieren.
- Während der Installation das Produkt vorsichtig behandeln: Quetschungen, Stöße, Herunterfallen oder Kontakte mit jeglichen Flüssigkeiten vermeiden; keine spitzen Gegenstände in den Motor bringen; nicht durchbohren und keine Schrauben außerhalb des Motors anbringen; das Produkt nicht in die Nähe von Wärmequellen bringen und keinen offenen Flammen aussetzen (**Abb. 1**).
- Solche Aktionen können das Produkt beschädigen, zu Fehlfunktionen oder Gefahren führen. Bei einem defektem Produkt, sofort die Installation unterbrechen, und den Installateur/Hersteller kontaktieren.
- Das Produkt nicht mehr zerlegen, als in diesem Handbuch angegeben ist.
- Keine Änderungen an den Produktbestandteilen ausführen, außer den in diesem Handbuch angegebenen. Nicht zugelassene Vorgänge führen zu Funktionsstörungen. Der Hersteller lehnt jede Verantwortung für Schäden durch willkürliche Änderungen des Produkts ab.
- Das Speisungskabel des Produkts ist aus PVC und nur für Installationen in Innenbereichen geeignet. Wenn die Installation in Außenbereichen erfolgt, muss das ganze Kabel mit einer Schutzhülle bedeckt werden.
- Wenn die Stromkabel beschädigt sind, darf das Produkt nicht verwendet werden, da das Kabel nicht austauschbar. Sollte dieser Fall auftreten, wenden Sie sich an den Installateur/Hersteller.
- Während der Ausführung der Anlage, alle Personen vom Rollladen entfernt halten, wenn dieser in Bewegung ist.
- Zur Steuerung des Produkts ausschließlich Druckknöpfe verwenden, die eine „Todesfunktion“ aufweisen, bzw. die über die ganze Bewegungsdauer gedrückt werden müssen.
- Das Verpackungsmaterial des Produkts muss bei vollständiger Einhaltung der örtlichen Vorschriften entsorgt werden.

### 1.3 • Hinweise für den Gebrauch

- Das Produkt darf nicht von Personen (einschließlich Kindern) verwendet werden, deren physische, empfindungsbezogene oder geistige Fähigkeiten eingeschränkt sind, oder die keine Erfahrung oder Kenntnisse besitzen, außer wenn diese mittels einer für ihre Sicherheit verantwortlichen Person überwacht werden oder Anleitungen über die Anwendung des Produkts erhalten haben.
- Kinder dürfen nicht mit den festen Steuerungen der Automatisierung spielen.
- Auf den Rollladen achten, wenn dieser in Bewegung ist und sich von diesem entfernt halten, bis die vorliegende Bewegung abgeschlossen ist.
- Wenn die Scheiben in der Nähe der Automatisierung gereinigt werden, dürfen die



Steuervorrichtungen nicht betätigt werden; wenn diese automatisch sind, muss auch der Strom ausgeschaltet werden.

- Die Automatisierung häufigen Prüfungen unterziehen, um zu sehen, ob Störungen oder Verschleißspuren oder Schäden an Kabeln und Federn vorliegen (wenn diese vorhanden sind). Die Automatisierung nicht verwenden, wenn sie eingestellt oder repariert werden muss; wenden Sie sich bitte ausschließlich an spezialisiertes technisches Personal, um diese Probleme zu lösen

## **2 BESCHREIBUNG DES PRODUKTS UND VERWENDUNGSZWECK**

Das Produkt ist ein Rohrmotor für die Automatisierung eines Rollladens, einer Markise oder eines Sonnenschutzes. **Jeder anderer Gebrauch ist untersagt! Der Hersteller ist nicht für Schäden durch einen unsachgemäßen Gebrauch des Produkts verantwortlich, der von den Angaben dieses Handbuchs abweicht.**

Das Produkt weist die folgenden Eigenschaften auf:

- wird durch das Stromnetz mit Strom versorgt (überprüfen Sie die Kompatibilität auf dem Etikett am Motor);
- es ist in der Lage, den Rollladen mithilfe von an der Wand angebrachten Druckknöpfen anzuhieven und zu senken (nicht in der Verpackung enthaltene Vorrichtungen);
- Er ist mit einem elektromechanischen System ausgestattet, das automatisch die Stromversorgung unterbricht, wenn der Rollladen die eingestellten Endlaufpositionen erreicht (**Abb. 3**): Position „0“ (ganz aufgerollter Rollladen) und Position „1“ (ganz abgerollter Rollladen);
- der ganze Rohrmotor wird innerhalb der Aufrollrolle installiert und die Außenseite dieses Produkts kann direkt an der Seite des Kastens oder mithilfe entsprechender Haltebügel befestigt werden (nicht in der Verpackung enthalten);
- es ist für Wohngebäude entwickelt worden und somit nicht für einen Dauerbetrieb gedacht. Es garantiert jedoch eine durchgehende Betriebszeit von höchstens 4 Minuten.
- Das Produkt ist mit einem Thermoschutzschalter ausgestattet, der im Falle einer Überhitzung aufgrund einer Anwendung der Automatisierung über den vorgesehenen Limits automatisch die Stromspeisung unterbricht und sie erst wieder herstellt, wenn sich die Temperatur normalisiert hat.

## **3 INSTALLATION DES PRODUKTS**

### **3.1 • Vorprüfungen - Anwendungslimits**

**Achtung! - Vor der Installation die folgenden Aspekte prüfen.**

- Dieses Produkt steht in verschiedenen Ausführungen zur Verfügung. Jede Ausführung dient für ein bestimmtes Drehmoment. Jede Ausführung wurde entwickelt, um Rollläden mit bestimmten Eigenschaften und Abmessungen und Gewichte zu automatisieren. Deshalb muss vor der Installation geprüft werden, ob die Eigenschaften des vorliegenden Motors (Drehmoment, Drehgeschwindigkeit und Betriebszeit) für die Automatisierung Ihres Rollladens geeignet sind. **Achtung! - Keinen Motor mit einem Drehmoment über dem notwendigen installieren, um Ihren Rollladen zu bewegen.**

Überprüfen Sie den Durchmesser der Aufwickelrolle. Dieser muss entsprechend dem Drehmoment des Motors folgendermaßen gewählt werden:

- für die Motoren der Größe „M“ ( $\varnothing = 45$  mm) und Drehmoment bis 30 Nm (einschließlich) muss der Innendurchmesser der Aufwickelrolle mindestens 52 mm betragen;
- für die Motoren der Größe „M“ ( $\varnothing = 45$  mm) und Drehmoment über 30 Nm muss der Innendurchmesser der Aufwickelrolle mindestens 60 mm betragen.

### **3.2 • Installation des Rohrmotors**

Um das Produkt zu installieren, die in **Abb. 5** gezeigten Phasen befolgen und die folgenden **Hinweise** beachten:

- Die falsche Installation kann schwerwiegende Verletzungen hervorrufen.

## **4 STROMANSCHLÜSSE**

### **4.1 • Installation der Schutzvorrichtungen innerhalb des Stromnetzes**

In Übereinstimmung mit den Vorschriften für elektrische Installationen müssen im Stromversorgungsnetz des Motors ein Kurzschlusschutz und ein Lasttrennschalter installiert werden.

**Achtung! - Die Trennvorrichtung muss entsprechend den Bedingungen der Überspannungskategorie III die vollständige Trennung von**

## der Stromversorgung ermöglichen.

Der Lasttrennschalter muss vom Antrieb aus sichtbar sein. Im gegenteiligen Fall ist ein System zu installieren, das einen versehentlichen oder nicht autorisierten Anschluss der Netzspannung verhindert, um jede mögliche Gefahr auszuschließen.

**Hinweis** – Die zwei Vorrichtungen sind nicht in der Verpackung enthalten.

## 4.2 • Wandinstallation der Bedienschalter

### Warnhinweise:

- Installieren Sie das Schaltermodul in Sichtweite des Rollladens, jedoch fern von seinen Bewegungsteilen.
- Positionieren Sie die Bedienschalter an der Seite des Rollladens, an der sich das Anschlusskabel des Rohrmotors und das Netzkabel befinden.
- Bringen Sie die Schalter in mindestens 1,5 m Höhe über dem Boden an.

## 4.3 • Anschluss des Motors an eine Steuerdruckknopfplatte und an das Stromnetz

### Achtung!

- Ein falscher Anschluss kann Betriebsstörungen oder gefährliche Situationen verursachen: Halten Sie sich strikt an die Anweisungen dieses Abschnitts.
- Wenn das Netzkabel beschädigt ist, darf das Produkt nicht mehr in Betrieb genommen werden; das Kabel kann nicht ersetzt werden. Wenden Sie sich in diesem Fall an den Installateur/Hersteller.

Aus elektrischer Sicht muss der Motor kontinuierlich an das Stromverteilersystem (siehe Kompatibilität auf dem Etikett am Motor) angeschlossen sein (siehe **Abb. 4**). Für die Leiter der Verbindung gilt folgendes:

- **Braun** = elektrische Anstiegs- oder Senkphase.
- **Schwarz** = elektrische Anstiegs- oder Senkphase.
- **Blau** = gemeinsamer Leiter (im Allgemeinen mit dem Nullleiter verbunden).
- **Gelb/Grün** = Erde (äquipotentielle Schutzverbindung).

## 4.4 • Zuweisung der Anstiegs- und Senkbewegungen an die jeweiligen Druckknöpfe

Am Ende der Anschlüsse den Motor einschalten und prüfen, ob die Anstiegs- und Senkbewegungen korrekt mit den jeweiligen Steuerdruckknöpfen verbunden sind. Wenn dies nicht der Fall ist, den Anschluss unter den **Braunen** und **Schwarzen** Leitern umkehren.



# 5

## EINSTELLUNG DER ENDANSCHLÄGE

### 5.1 • Endanschläge beim Schließen und Öffnen

Während der Auf- und Abwärtsbewegung stoppt der Motor die Rolle automatisch, wenn diese die Endlaufpositionen erreicht (**Abb. 3**): Position „0“ (ganz aufgerollter Rollladen) und Position „1“ (ganz abgerollter Rollladen). Werkseitig werden diese Positionen annähernd befestigt, und um sie den spezifischen Abmessungen Ihrer Rolle anzupassen, ist das nachfolgend beschriebene Verfahren zu verwenden.

### 5.2 • Wie ist zuerst der erste Endanschlag „0“ und dann der Endanschlag „1“ einzustellen

01. Die Rolle in die Position „1“ verschieben.

#### **Die Stellschrauben mit den entsprechenden Endanschlägen verbinden:**

02. Stellen Sie sich vor die Rolle, und beobachten Sie:

**a)** An welchem Ende der Rolle sich die Stellschrauben der Endanschläge befinden: Rechts oder links?

**b)** Ob sich der abgerollte Teil der Rolle vor oder hinter der Rolle befindet.

03. Dann schauen Sie sich die **Abb. 6** an und suchen in den aufgeführten Schemen das Schema, das der Situation a) und b) entspricht, welche bei Ihrer Installation beobachtet wurde. **Sehr wichtig – Das erfasste Schema verbindet jede Stellschraube mit einem entsprechenden Endanschlag, der dann einzustellen ist.**

#### **Den Endanschlag „0“ einstellen:**

04. Die Rolle so steuern, dass sich diese in Richtung der Position „0“ bewegen kann, und warten, bis der Motor für den Einschritt des werkseitig voreingestellten Endanschlags anhält.

**Achtung!** – Wenn die Rolle den Punkt überschreitet, an dem der Endanschlag „0“ befestigt werden soll, die Bewegung stoppen; dann die Rolle steuern, sodass sie in die Startposition zurückkehrt; die Stellschraube des Endanschlags „0“ ein paar Umdrehungen in Richtung des Zeichens „–“ drehen, und schließlich das Verfahren von Punkt 04 wiederholen.

05. Dann die Stellschraube des Endschalters „0“ allmählich in Richtung des Zeichens „+“ drehen, bis die gewünschte Anhaltestellung „0“ erreicht wird. **Hinweis** - bei jeder Schraubendrehung läuft der Motor weiter und hält in der neuen Position an.

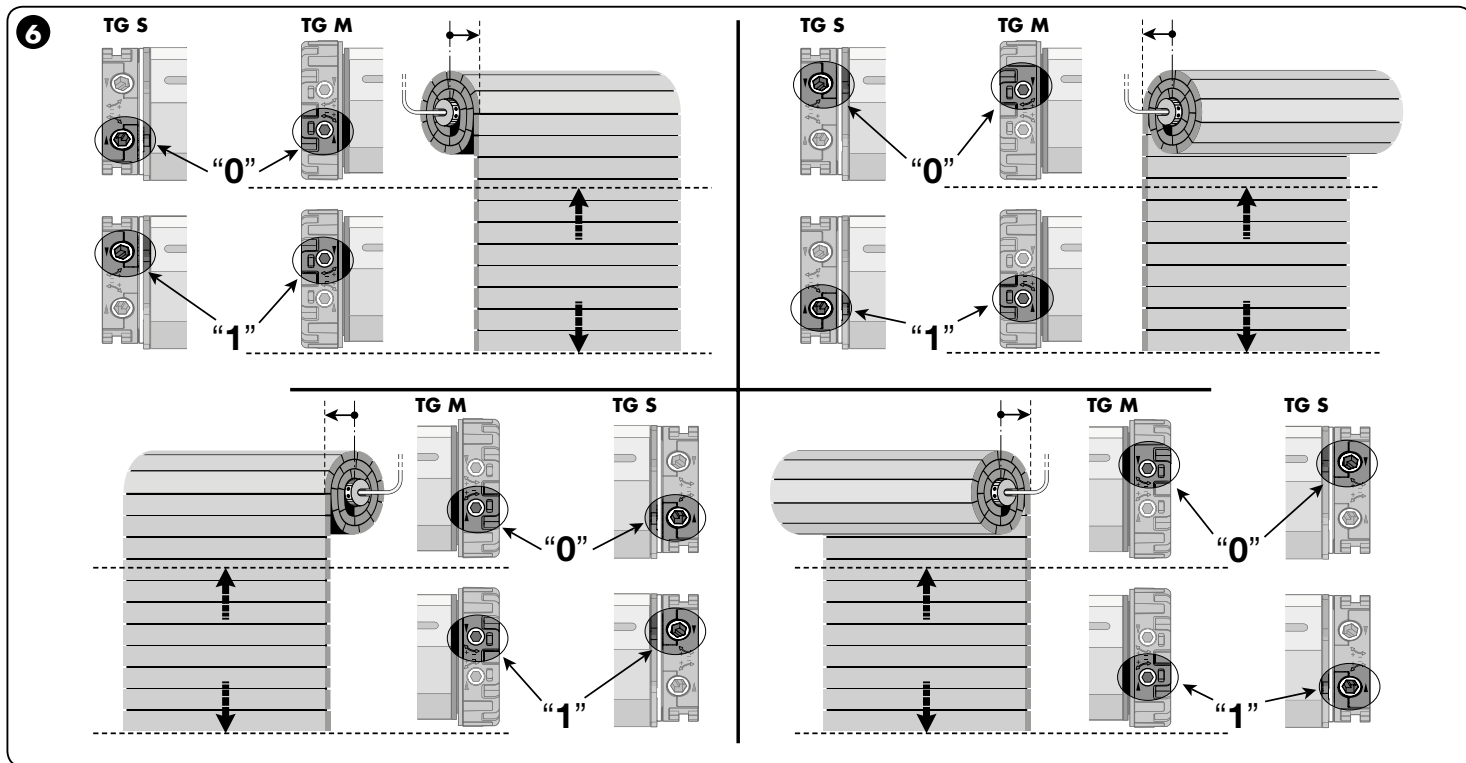
## Den Endanschlag „1“ einstellen:

- 06.** Die Stellschraube des Endanschlags „1“ ein paar Umdrehungen in Richtung des Zeichens „-“ drehen.
- 07.** Die Rolle so steuern, dass sich diese in Richtung der Position „1“ bewegen kann, und warten, bis der Motor für den Einschnitt des werkseitig voreingestellten Endanschlags anhält.

**Achtung!** – Wenn die Rolle den Punkt überschreitet, an dem der Endanschlag „1“ befestigt werden soll, die Bewegung stoppen; dann die Rolle steuern, sodass sie in die Startposition zurückkehrt; die Stellschraube des Endanschlags „1“ ein

paar Umdrehungen in Richtung des Zeichens „-“ drehen, und schließlich das Verfahren von Punkt 07 wiederholen.

- 08.** Dann die Stellschraube des Endschalters „1“ allmählich in Richtung des Zeichens „+“ drehen, bis die gewünschte Anhaltestellung „1“ erreicht wird. **Hinweis** – bei jeder Schraubendrehung läuft der Motor weiter und hält in der neuen Position an.



**6**

## ENTSORGUNG DES PRODUKTS

**Dieses Produkt ist ein vervollständigender Teil der Automatisierung und muss somit gemeinsam entsorgt werden.**

Wie bei den Installationsarbeiten müssen die Abrüstungsarbeiten am Ende der Lebensdauer des Produkts durch qualifiziertes Personal ausgeführt werden.

Dieses Produkt besteht aus verschiedenen Materialarten: Einige können recycelt, andere müssen entsorgt werden. Informieren Sie sich bitte über die Recycle- oder Entsorgungssysteme, die von den an Ihrem Ort geltenden Vorschriften für diese Produktkategorie vorgesehen sind.

**Achtung!** – Einige Produktteile können die Umwelt verschmutzende oder gefährliche Substanzen enthalten, die der Umwelt oder der Gesundheit der Menschen schaden könnten.

Wie durch das seitliche Symbol angezeigt, darf dieses Produkt nicht in den Hausmüll geworfen werden. Somit müssen die Regeln der "Mülltrennung" gemäß den an Ihrem Ort geltenden Vorschriften eingehalten oder das Produkt an den Händler ausgehändigt werden, wenn ein gleichwertiges Produkt gekauft wird.

**Achtung!** – Die örtlich geltenden Bestimmungen sehen im Falle einer falschen Entsorgung dieses Produkts schwere Strafen.

**7**

## WAS IST ZU TUN, WENN... (Anleitung zur Problemlösung)

**Der Motor bewegt sich nicht, obwohl eine Anstiegs- oder Senkphase gesteuert wurde:**

- 1) prüfen, ob der Thermoschutz aktiviert ist; in diesem Fall abwarten, bis sich der Motor abgekühlt hat;
- 2) prüfen, ob Netzspannung vorliegt und ob diese den Werten des Motorendatenschildes entspricht;
- 3) Prüfen, ob die beiden Endanschlüsse aufgrund einer falschen Einstellung gleichzeitig aktiviert werden; in diesem Fall die beiden Einstellschrauben um einige Umdrehungen in Richtung des Zeichens "+" drehen.  
Bewegt sich der Motor nach diesen Kontrollen nicht, wenden Sie sich an einen qualifizierten Techniker oder an den Installateur/Hersteller.



## TECHNISCHE EIGENSCHAFTEN

● **Betriebsspannung und Frequenz; Strom und Leistung, Drehmoment und Geschwindigkeit:** Siehe technische Daten auf dem Etikett jedes Modells. ● **Motordurchmesser:** TG S 3,5 mm; TG M 4,5 mm. ● **Nennbetriebszeit:** Höchstens 4 Minuten. ● **Schutzgrad:** IP 44 (Rohrmotor). ● **Betriebstemperatur:** -20°C (min.). ● **Anschlusskabellänge:** TG S 2 m; TG M 2,5 m.

### Anmerkungen:

- Alle aufgeführten technischen Eigenschaften beziehen sich auf eine Umgebungstemperatur von 20°C (± 5°C).
- Der Hersteller behält sich das Recht vor, jederzeit Änderungen am Produkt vorzunehmen.



## EU-KONFORMITÄTSERKLÄRUNG

**Anmerkung:** Der Inhalt dieser Erklärung entspricht den Angaben im offiziellen Dokument, das im Sitz der Nice S.p.A. hinterlegt ist und der letzten verfügbaren Revision vor dem Druck dieser Anleitung. Dieser Text wurde aus redaktionellen Gründen angepasst. Die Kopie der Original-Erklärung kann bei der Firma Nice S.p.A. (TV) Italy angefordert werden.

**Nummer der Erklärung:** 486/TTGO    **Revision:** 7    **Sprache:** DE

**Name des Herstellers:** Nice S.p.A.  
**Adresse:** Via Pezza Alta n°13, 31046 Rustignè di Oderzo (TV) Italy

**Produkttyp:** Rohrmotor für Rolltore und Markisen  
**Modell / Typ:** TGM517, TGM517, TGM817, TGM817, TGM1517, TG M 1517, TG M 1517, TG M 3017, TG M 3017, TG M 3017, TG M 4017, TG M 4017, TG M 4017, TG M 5017, TG M 5017, TG M 5017, TG S 619, TG S 1014

**Zubehör:** -

Der Unterzeichnende Roberto Griffa, in seiner Funktion als Chief Executive Officer, erklärt auf eigene Verantwortung, dass die oben genannten Produkte den Bestimmungen entsprechen, die in folgenden Richtlinien enthalten sind:

- Richtlinie 2014/35/UE (LVD)  
 EN 60335-1:2002 + A1:2004 + A11:2004 + A12:2006 + A2:2006 + A13:2008 + A14:2010 + A15:2011  
 EN 60335-2-97:2006+A11:2008+A2:2010  
 EN 62233:2008
- Richtlinie 2014/30/UE (EMC)  
 EN 55014-1:2006+A1:2009+A2:2011  
 EN 55014-2:2015  
 EN 61000-3-2:2014  
 EN 61000-3-3:2013

Oderzo, 29. Mai 2017

Ing. **Roberto Griffa**  
 (Chief Executive Officer)

**Uwaga dotycząca lektury instrukcji** – Rysunki, do których odnosi się tekst, zamieszczono na początku instrukcji.

 **1** **INSTRUKCJE I ZALECENIA DOTYCZĄCE BEZPIECZEŃSTWA**

## 1.1 • Zalecenia dotyczące bezpieczeństwa

- **UWAGA! – Ze względu na bezpieczeństwo osób ważne jest przestrzeganie niniejszej instrukcji.** Nieprawidłowo wykonana instalacja może skutkować poważnymi obrażeniami. Dlatego też, przed rozpoczęciem pracy, należy dokładnie przeczytać każdą część instrukcji i w przypadku wątpliwości zwrócić się o wyjaśnienia do instalatora/producenta.
- **UWAGA! – Ważne instrukcje bezpieczeństwa; należy je starannie przechowywać.** Starannie przechowywać tę instrukcję w celu ułatwienia ewentualnych operacji konserwacji i utylizacji urządzenia.

## 1.2 • Zalecenia dotyczące instalacji

- **Wszelkie operacje instalacji, podłączania, programowania i konserwacji urządzenia muszą być wykonywane wyłącznie przez wykwalifikowanego i kompetentnego technika, stosownie do zaleceń, przepisów obowiązujących na danym terytorium oraz instrukcji dotyczących bezpieczeństwa zawartych w tej instrukcji obsługi.**
- Przed rozpoczęciem instalowania urządzenia sprawdź, czy jest ono odpowiednie dla zautomatyzowania rolety (przeczytaj rozdział 3).
- Wszelkie operacje instalowania i konserwacji urządzenia muszą być wykonywane po odłączeniu automatu od zasilania elektrycznego. Dla bezpieczeństwa zawsze na urządzeniu wyłączającym tablicę z napisem "UWAGA! KONSERWACJA W TOKU".
- Przed rozpoczęciem czynności instalacyjnych usuń wszystkie przewody elektryczne niepotrzebne podczas pracy. Ponadto wyłącz wszystkie mechanizmy, które nie są potrzebne do zautomatyzowanego działania rolety.
- Jeśli urządzenie zostało zamontowane na wysokości poniżej 2,5 m od podłogi lub od

innej powierzchni oparcia, konieczne jest zabezpieczenie ruchomych części automatyki, aby utrudnić przypadkowy dostęp do nich. W tym celu należy odwołać się do instrukcji obsługi rolety gwarantując w każdym przypadku dostęp podczas wykonywania czynności konserwacyjnych.

- Podczas montażu markiz należy zagwarantować odległość w linii poziomej co najmniej 40 cm od maksymalnego punktu otwarcia markizy do jakiegokolwiek przedmiotu stałego.
  - Delikatnie obchodź się z urządzeniem podczas jego instalowania: chroń przed zgnieceniem, uderzeniem, upadkiem lub kontaktem z jakiegokolwiek rodzaju płynami; nie wkładaj ostrych przedmiotów do silnika; nie wierć otworów i nie wkręcaj śrub wewnątrz silnika; nie umieszczaj urządzenia w pobliżu źródeł ciepła i nie wystawiaj go na działanie otwartego ognia (**rys. 1**).
- Opisane sytuacje mogą powodować uszkodzenie urządzenia, być przyczyną nieprawidłowego działania lub spowodować zagrożenia. Jeżeli zdarzenie takie nastąpi, należy niezwłocznie przerwać montaż i zwrócić się do instalatora/producenta.
- Nie demontuj urządzenia wykonując operacje nieprzewidziane w tej instrukcji.
  - Nie modyfikuj żadnej części urządzenia wykonując operacje odmienne od tych, które zostały zamieszczone w tej instrukcji. Operacje niedozwolone mogą wyłącznie powodować nieprawidłowe funkcjonowanie. Producent zrzuca się wszelkiej odpowiedzialności za szkody, wynikające z samowolnie wykonywanych modyfikacji urządzenia.
  - Przewód zasilający urządzenie jest wykonany z PVC i jest przeznaczony wyłącznie do montażu wewnętrznego. Jeśli instalacja jest wykonywana na zewnątrz, należy zabezpieczyć cały przewód rurą izolacyjną.
  - W przypadku uszkodzenia przewodu zasilającego, urządzenie nie może być użytkowane, ponieważ przewód nie nadaje się do wymiany. W takim przypadku należy skontaktować się z instalatorem/producentem.
  - Podczas realizacji instalacji nie pozwalaj innym osobom zbliżać się do rolety w przypadku, kiedy znajduje się w ona ruchu.
  - Do sterowania urządzeniem używaj wyłącznie przycisków, które funkcjonują w trybie ręcznym "w obecności operatora", to znaczy takich, które należy wcisnąć i przytrzymać przez cały czas trwania manewru.
  - Opakowanie urządzenia musi być zlikwidowane zgodnie z odpowiednimi przepisami obowiązującymi na danym terytorium.

## 1.3 • Zalecenia dotyczące obsługi

- Urządzenie nie jest przeznaczone do użytku przez osoby (włącznie z dziećmi) o zredukowanych zdolnościach fizycznych, czuciowych i umysłowych lub nieposiadające doświadczenia lub znajomości, chyba że mogły one skorzystać, poprzez pośrednictwo osoby odpowiedzialnej za ich bezpieczeństwo, z nadzoru lub instrukcji dotyczących obsługi urządzenia.
- Nie pozwalaj dzieciom bawić się statycznymi urządzeniami sterującymi automatyką.
- Zachowaj ostrożność podczas kiedy roleta znajduje się w ruchu i przebywaj w odpo-

wiedniej odległości od niej, aż do zakończenia wykonywanego manewru.

- W przypadku wykonywania prac mycia okien w pobliżu automatu nie należy włączać urządzeń sterujących; jeżeli są to urządzenia automatyczne należy również odłączyć zasilanie elektryczne.
- Często sprawdzaj automatykę, pod kątem utraty wyważenia, śladów zużycia lub uszkodzenia przewodów i sprężyn, (jeżeli występują). Nie używaj automatu, jeżeli wymaga on wykonania regulacji lub naprawy; w tym celu zwróć się wyłącznie do wyspecjalizowanego personelu technicznego.



## 2

### OPIS URZĄDZENIA I JEGO PRZEZNACZENIE

Niniejsze urządzenie jest silnikiem rurowym przeznaczonym do automatyzacji rolet, markiz lub rolet przeciwsłonecznych. **Każde inne zastosowanie jest zabronione! Producent nie odpowiada za szkody wynikające z niewłaściwego używania urządzenia, odmiennego od opisanego w tej instrukcji.**

Urządzenie posiada następujące cechy charakterystyczne:

- jest zasilane z sieci elektrycznej (patrz kompatybilność na tabliczce znajdującej się na silniku);
- jest w stanie napędzać roletę podczas Podnoszenia i Opuszczania z pomocą przycisków naściennych (nie znajdujących się w opakowaniu);
- jest wyposażony w system elektromechaniczny, który automatycznie przerywa zasilanie w przypadku, kiedy roleta dociera do ustawionych ograniczników położenia (**rys. 3**); pozycja "0" (roleta całkowicie zwinięta) oraz pozycja "1" (roleta całkowicie rozwinięta);
- silnik rurowy jest instalowany wewnątrz rury nawijającej, zewnętrzna strona urządzenia może zostać przymocowana bezpośrednio do boku skrzynki nadokiennej lub wykorzystując specjalne uchwyty wspornika (nie znajdujących się w opakowaniu);
- zostało zaprojektowane do użytku prywatnego i do pracy okresowej. Gwarantuje w każdym razie ciągły czas pracy maksymalnie 4 minuty;
- jest wyposażone w wyłącznik krańcowy, który w przypadku przegrzania spowodowanego przez nadmierne używanie automatu, automatycznie przerwie zasilanie elektryczne i przywróci je zaraz po powrocie temperatury do normalnych warunków.



## 3

### OPIS URZĄDZENIA I JEGO PRZEZNACZENIE

#### 3.1 • Weryfikacje wstępne instalacji - ograniczenia zastosowania urządzenia

**Uwaga! – Przed przystąpieniem do montażu sprawdź następujące aspekty.**

- Urządzenie jest dostępne w różnych wersjach, każda z nich posiada określony moment obrotowy. Każda wersja została zaprojektowana do automatyzacji rolet posiadających określone parametry wymiarowe i wagowe. **Uwaga! - Nie instaluj silnika posiadającego większy moment obrotowy od tego, który jest niezbędny do przesuwania rolety.**

Sprawdź średnicę rury nawojowej. Rurę tę należy dobrać na podstawie momentu obrotowego silnika, zgodnie z poniższymi zaleceniami:

- dla silników o rozmiarze „M” ( $\varnothing = 45$  mm) i momencie obrotowym do 30 Nm (włącznie), minimalna średnica wewnętrzna rury nawojowej powinna wynosić 52 mm;
- dla silników o rozmiarze „M” ( $\varnothing = 45$  mm) i momencie obrotowym większym niż 30 Nm, minimalna średnica wewnętrzna rury nawojowej powinna wynosić 60 mm.

#### 3.2 • Montaż silnika rurowego

Aby zamontować urządzenie śledź fazy zilustrowane na **rys. 5** i uwzględnij następujące **zalecenia**:

- Nieprawidłowo wykonana instalacja może być przyczyną poważnych obrażeń.



## 4

### PODŁĄCZENIA ELEKTRYCZNE

#### 4.1 • Montaż urządzeń zabezpieczających w sieci zasilania elektrycznego

Zgodnie z zasadami instalacji elektrycznej, w sieci zasilającej silnik należy zainstalować odłącznik zabezpieczenie przeciwzwarciowe oraz odłącznik od sieci elektrycznej.

**Uwaga! – Odłącznik musi umożliwiać całkowite odłączenie od zasilania**

### nia w warunkach określonych przez kategorię przepięcia III.

Odtątnik musi się znajdować w widocznym miejscu w obrębie automatyki, a jeżeli nie jest widoczny, ze względów bezpieczeństwa należy przewidzieć system blokujący ewentualne przypadkowe ponowne lub nieupoważnione podłączenie zasilania.

**Uwaga** – Te dwa urządzenia nie są dołączone do zestawu.

## 4.2 • Instalacja naściennej tablicy przycisków

### Uwaga:

- Umieścić tablicę przycisków w widocznym miejscu przy mechanizmie zwijającym, ale z dala od jego ruchomych części.
- Umieścić tablicę przycisków po tej stronie mechanizmu zwijającego, po której znajduje się kabel elektryczny silnika rurowego oraz kabel zasilania poprowadzony z sieci elektrycznej.
- Umieścić przyciski na wysokości powyżej 1,5 m od podłogi.

## 4.3 • Podłączenie silnika do przycisków sterujących oraz do sieci elektrycznej

### Uwaga!

- Nieprawidłowe podłączenie może spowodować awarie lub niebezpieczne sytuacje, dlatego należy uważnie przestrzegać instrukcji podanych w tym punkcie.
- W przypadku uszkodzenia przewodu zasilającego, urządzenie nie może być użytkowane, ponieważ przewód nie nadaje się do wymiany. W takim przypadku należy skontaktować się z instalatorem/producentem.

Silnik musi być zasilany w trybie ciągłym, poprzez stałe podłączenie do sieci zasilania elektrycznego (patrz kompatybilność na tabliczce znajdującej się na silniku). Aby podłączyć silnik do przycisków sterujących i do sieci elektrycznej, patrz **rys. 4**. Żyłę przewodu łączącego posiadają następujące zastosowanie:

- **Kolor brązowy** = Faza elektryczna podnoszenia lub opuszczania.
- **Kolor Czarny** = Faza elektryczna podnoszenia lub opuszczania.
- **Kolor Niebieski** = Wspólny (zwykle podłączony do Neutralnego).
- **Kolor żółto-zielony** = Uziemienie (połączenie ekspotencjalne zabezpieczające).



# 5

## REGULACJA OGRANICZNIKÓW

### 5.1 • Ograniczniki zamykania i otwierania

Podczas manewru podnoszenia i opuszczania silnik automatycznie zatrzymuje roletę w przypadku, kiedy dociera ona do ograniczników położenia (**rys. 3**): pozycja "0" (roleta całkowicie zwinięta) oraz pozycja "1" (roleta całkowicie rozwinięta). Fabrycznie te pozycje są ustalane w sposób przybliżony, aby je dostosować do specyficznych wymiarów swojej rolety musisz wykorzystać procedurę opisaną w dalszej części tej instrukcji.

### 5.2 • Jak wyregulować jako pierwszy ogranicznik położenia "0" i następnie ogranicznik położenia "1"

01. Przesuń roletę do pozycji "1".

#### Połącz śruby regulacyjne z odpowiednimi ogranicznikami położenia:

02. Stań przed roletą i sprawdź:

- a) na którym końcu rury znajdują się śruby regulacyjne ograniczników: z prawej lub z lewej strony?
- b) czy rozwinięta część rolety znajduje się przed czy za rurą.

03. Następnie sprawdź na **rys. 6** i wybierz spośród schematów na nim zamieszczonych ten, który odpowiada sytuacji a) i b) zaobserwowanej w Twojej instalacji. **Bardzo ważne – Wybrany schemat wyznacza dla każdej śruby regulacyjnej określony ogranicznik, który wymaga regulacji.**

#### Wyreguluj ogranicznik położenia "0":

04. Wysteryluj roletę w taki sposób, aby przesunęła się do pozycji "0" i odczekaj, aż silnik zatrzyma się w wyniku zadziałania ogranicznika wyregulowanego fabrycznie.

**Uwaga!** – Jeżeli roleta przekroczy punkt, który przyjąłeś jako pozycję "0" przerwij jej ruch; następnie wysteryluj roletę do powrotu do pozycji początkowej; obróć lekko w kierunku symbolu "-" śrubę regulacyjną, odpowiednią dla ogranicznika "0" i następnie powtórz procedurę od punktu 04.

05. Stopniowo obracaj w kierunku symbolu "+" śrubę regulacyjną odpowiednią dla ogranicznika "0", aż do wybranej pozycji zatrzymania "0". **Uwaga** – przy każdym obrocie śruby silnik przesuwa się i zatrzymuje w nowej pozycji.



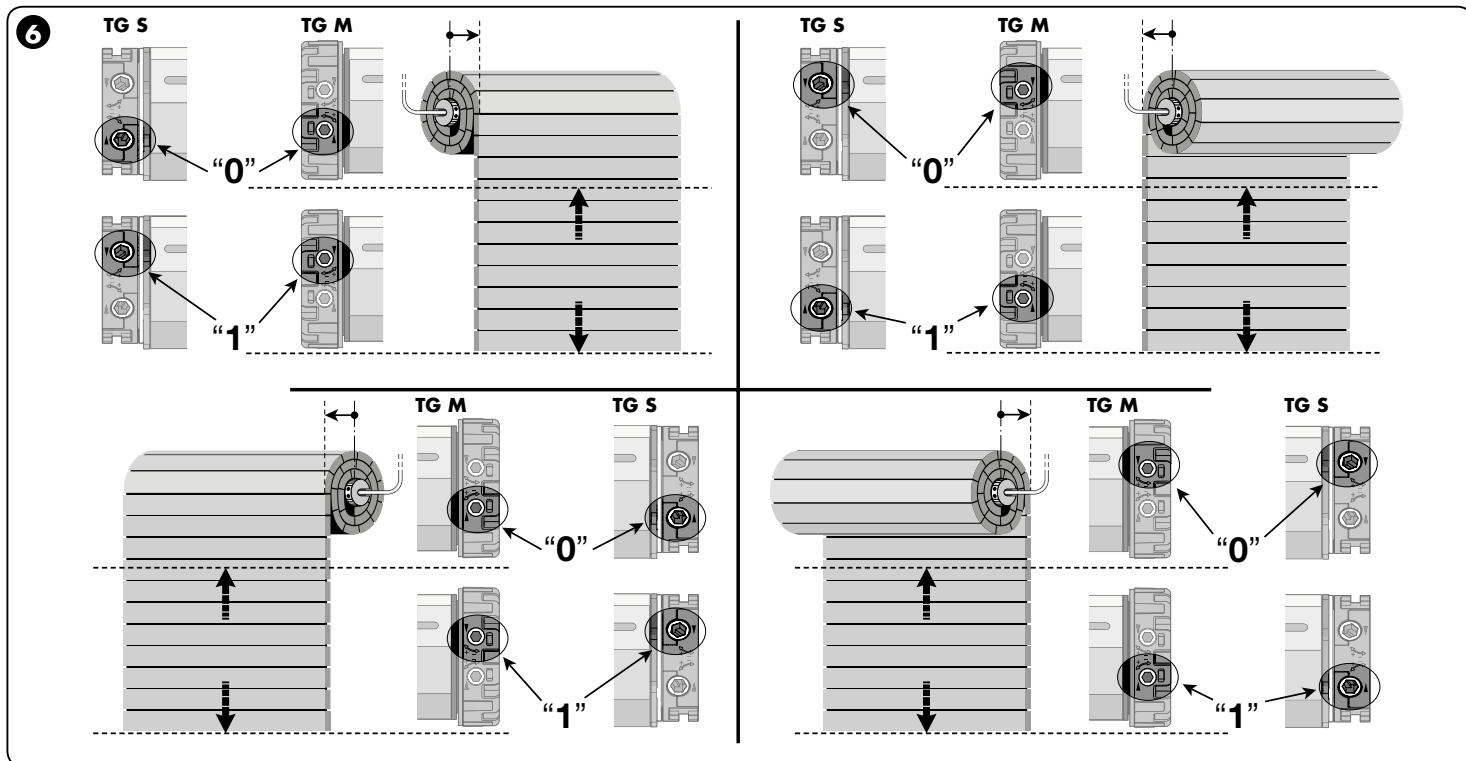
### Wyreguluj ogranicznik położenia "1":

06. Obróć lekko w kierunku symbolu "-" śrubę regulacyjną odpowiednią dla ogranicznika "1".
07. Wysteruj roletę w taki sposób, aby przesunęła się do pozycji "1" i odczekaj, aż silnik zatrzyma się w wyniku zadziałania ogranicznika.

**Uwaga!** – Jeżeli roleta przekroczy punkt, który przyjąłeś jako pozycję "1" przerwij jej ruch; następnie wysteruj ją do powrotu do pozycji początkowej; obróć lekko w kie-

runku symbolu "-" śrubę regulacyjną odpowiednią dla ogranicznika "1" i następnie powtórz procedurę od punktu 07.

08. Stopniowo obracaj w kierunku symbolu "+" śrubę regulacyjną odpowiednią dla ogranicznika "1", aż do wybranej pozycji zatrzymania "1". **Uwaga** – przy każdym obrocie śruby silnik przesuwa się i zatrzymuje w nowej pozycji.



**6**

## UTYLIZACJA URZĄDZENIA

**To urządzenie jest integralną częścią automatu, dlatego też powinno zostać zlikwidowane razem z nim.**

Zarówno operacje instalowania jak również operacje demontażu po zakończeniu eksploatacji urządzenia, powinny być wykonywane przez personel wykwalifikowany.

Urządzenie składa się z różnych rodzajów materiałów: niektóre z nich mogą być ponownie używane, inne nadają się do wyrzucenia. Zgromadzić niezbędne informacje dotyczące placówek zajmujących się recykulacją lub utylizacją materiałów, zgodnie z przepisami obowiązującymi dla danej kategorii urządzenia na Waszym terytorium.

**Uwaga!** - niektóre części urządzenia mogą zawierać substancje zanieczyszczające lub niebezpieczne, które jeżeli zostaną rozrzucone w otoczeniu, mogą wywierać szkodliwy wpływ na środowisko i zdrowie ludzkie.

Jak wskazuje symbol obok, zabrania się wyrzucania urządzenia razem z odpadami domowymi. Należy więc przeprowadzić "selektywną zbiórkę odpadów", zgodnie z metodami przewidzianymi przez przepisy obowiązujące na Waszym terytorium lub oddać urządzenie do sprzedawcy podczas dokonywania zakupu nowego ekwiwalentnego urządzenia.

**Uwaga!** - lokalne przepisy mogą przewidywać wysokie kary za nielegalną likwidację niniejszego urządzenia.

**7**

## CO ZROBIĆ JEŚLI... (przewodnik do rozwiązywania problemów)

**Silnik nie włącza się, pomimo, że zasilana jest faza Podnoszenia i Opuszczania:**

- 1) sprawdź, czy zadziałało zabezpieczenie termiczne: w tym przypadku wystarczy odczekać, aż silnik się ochłodzi;
- 2) sprawdź, czy występuje napięcie sieci i czy odpowiada ono wartościom podanym na tabliczce danych silnika;
- 3) sprawdź, czy w wyniku nieprawidłowej regulacji dwa ograniczniki włączają się jednocześnie; w tym przypadku należy dokręcić dwa wkręty regulacyjne wykonując kilka obrotów w kierunku znaku (+).

Jeżeli, po wykonaniu tych kontroli, silnik się nie porusza, należy się zwrócić do wykwalifikowanego technika lub skontaktować się z instalatorem/producentem.

**8**

## DANE TECHNICZNE

● **Napięcie zasilania i częstotliwość; prąd i moc elektryczna; moment obrotowy i szybkość:** Sprawdzić dane techniczne na etykiecie każdego modelu. ● **Średnica silnika:** TG S 35 mm; TG M 45 mm. ● **Nominalny czas funkcjonowania:** Maksymalnie 4 minuty. ● **Stopień zabezpieczenia:** IP 44 (silnik rurowy). ● **Temperatura funkcjonowania:** -20°C (min.). ● **Długość przewodu łączącego:** TG S 2 m; TG M 2,5 m.

### Uwagi:

- Wszystkie podane parametry techniczne dotyczą temperatury środowiskowej 20°C (± 5°C).
- Producent zastrzega sobie prawo do wprowadzania zmian do urządzenia w każdej chwili, kiedy uzna je za konieczne, zachowując te same funkcje i przeznaczenie.

**9**

## DEKLARACJA ZGODNOŚCI UE

**Uwaga:** Treść niniejszej deklaracji jest zgodna z oficjalną deklaracją zdeponowaną w siedzibie Nice S.p.A., a w szczególności z najnowszą wersją dostępną przed wydrukowaniem niniejszego podręcznika. Niniejszy tekst został dostosowany pod kątem wydawniczym. Kopię oryginalnej deklaracji zgodności można otrzymać od firmy Nice S.p.A. (TV) Italy.

**Numer deklaracji:** 486/TTGO    **Wydanie:** 7    **Język:** PL

**Nazwa producenta:** Nice S.p.A.  
**Adres:** Via Pezza Alta n° 13, 31046 Rustignè di Oderzo (TV) Italy  
**Typ produktu:** Silnik rurowy do markiz i rolet  
**Model/Typ:** TG M 517, TG M 517, TG M 817, TG M 817, TG M 1517, TG M 1517, TG M 1517, TG M 3017, TG M 3017, TG M 3017, TG M 4017, TG M 4017, TG M 4017, TG M 4017, TG M 5017, TG M 5017, TG M 5017, TG S 619, TG S 1014

**Urządzenia dodatkowe:** –

Ja, niżej podpisany Roberto Griffa, jako Chief Executive Officer deklaruję na własną odpowiedzialność, że wyżej wymienione produkty są zgodne z następującymi dyrektywami:

- Dyrektywa 2014/35/UE (LVD)  
 EN 60335-1:2002 + A1:2004 + A11:2004 + A12:2006 + A2:2006 + A13:2008 + A14:2010 + A15:2011  
 EN 60335-2-97:2006+A11:2008+A2:2010  
 EN 62233:2008
- Dyrektywa 2014/30/UE (EMC)  
 EN 55014-1:2006+A1:2009+A2:2011  
 EN 55014-2:2015  
 EN 61000-3-2:2014  
 EN 61000-3-3:2013

Oderzo, 21 maj 2017

Enż. **Roberto Griffa**  
 (Chief Executive Officer)

PL

**Aanwijzingen om deze handleiding te lezen** – De afbeeldingen ter verduidelijking van de tekst kunt u aan het begin van de handleiding vinden.

## **1 AANBEVELINGEN EN VOORZORGSMAATREGELEN VOOR DE VEILIGHEID**

### **1.1 • Aanbevelingen voor de veiligheid**

- **LET OP! – Voor de veiligheid van de personen is het van belang deze aanwijzingen op te volgen.** Een verkeerde installatie kan ernstig letsel veroorzaken. Daarom dient u, alvorens met de werkzaamheden te beginnen, de handleiding volledig door te lezen en in geval van twijfels opheldering te vragen aan de installateur/fabrikant.
- **LET OP! – Belangrijke aanwijzingen voor de veiligheid; bewaar deze aanwijzingen.** Bewaar deze handleiding voor eventuele toekomstige onderhoudswerkzaamheden of de verwerking als afval van het afgedankte product.

### **1.2 • Aanbevelingen voor de installatie**

- **Alle werkzaamheden in verband met de installatie, de aansluiting, de programmering en het onderhoud van het product mogen uitsluitend worden uitgevoerd door een gekwalificeerde en bekwame technicus, met inachtneming van de wetten, voorschriften en plaatselijke regels en volgens de in deze handleiding beschreven instructies.**
- Voordat u met de installatie begint, dient u te controleren of dit product geschikt is voor het automatiseren van uw rolluik of zonwering (zie hoofdstuk 3).
- Alle installatie- en onderhoudswerkzaamheden moeten plaatsvinden met van de elektrische voeding losgekoppelde automatisering. Bevestig op de uitschakelinrichting uit voorzorg een bord met het opschrift "LET OP! BEZIG MET ONDERHOUD".
- Alvorens met de installatie te beginnen, dient u alle elektrische kabels, die niet met de werkzaamheden te maken hebben, uit de buurt te plaatsen en dient u alle mechanismen, die niet nodig zijn voor de motoraangedreven werking van rolluik of zonwering, te deactiveren.

- Indien het product op een hoogte van minder dan 2,5 m vanaf de vloer of een ander draagvlak wordt geïnstalleerd, is het noodzakelijk de bewegende delen ervan te beschermen met een afdekking, om te voorkomen dat men hier per ongeluk mee in aanraking kan komen. Zie voor de bescherming van de bewegende delen de instructiehandleiding van rolluik of zonwering, en zorg er in elk geval voor dat men wel bij het product kan voor onderhoudswerkzaamheden.
- Bij zonwerkingen moet een horizontale afstand van minimaal 40 cm worden gega-randeerd tussen de volledig geopende zonwering en een eventueel vast object dat zich ervoor bevindt.
- Behandel het product gedurende de installatie voorzichtig en voorkom samendrukking, stoten, valpartijen of contact met vloeistoffen van welke soort dan ook; ga niet met puntige voorwerpen in de motor; boor geen gaten en draai geen schroeven in de buitenkant van de motor; plaats het product niet in de buurt van warmtebronnen en stel het niet bloot aan open vuur (**afb. 1**). Hierdoor kan het product beschadigd raken en kunnen er storingen of gevaarlijke situaties ontstaan. In deze gevallen dient u onmiddellijk de installatie te onderbreken en contact op te nemen met de installateur/fabrikant.
- Haal het product niet verder uit elkaar dan in deze handleiding is aangegeven.
- Voer geen wijzigingen aan welke delen van het product dan ook uit anders dan in deze handleiding aangegeven. Niet-toegestane handelingen zullen slechts storingen in de werking veroorzaken. De fabrikant aanvaardt geen aansprakelijkheid voor schade die het gevolg is van op willekeurige wijze gewijzigde inrichtingen.
- De voedingskabel van het product is van PVC en is uitsluitend geschikt voor installatie binnenshuis. Als het product buiten wordt geïnstalleerd, dient de kabel te worden afgedekt met een beschermbuis.
- Als de voedingskabel beschadigd is, kan het product niet langer gebruikt worden; de kabel kan namelijk niet vervangen worden. Neem in dit geval contact op met de installateur/fabrikant.
- Gedurende het aanleggen van de installatie dienen de personen uit de buurt van rolluik of zonwering worden gehouden wanneer deze in beweging is.
- Gebruik voor het besturen van het product uitsluitend drukknoppen die werken bij "aanwezige persoon", dat wil zeggen, die voor de gehele duur van de manoeuvre ingedrukt moeten worden gehouden.
- De afvalverwerking van het verpakkingsmateriaal van het product moet geheel en al volgens de plaatselijk geldende regels plaatsvinden.

### **1.3 • Aanbevelingen voor het gebruik**

- Het product is niet bestemd om gebruikt te worden door personen (inclusief kinderen) wier fysieke, zintuiglijke of mentale vermogens beperkt zijn of die niet over genoeg ervaring of kennis beschikken, tenzij deze personen onder toezicht staan van een persoon die voor hun veiligheid verantwoordelijk is of instructies hebben ontvangen over het gebruik van het product.
- Laat kinderen niet met de vaste bedieningsinrichtingen spelen.

- Let op wanneer het rolelement (rolluik, zonwering of zonnescerm) in beweging is en blijf uit de buurt totdat de manoeuvre voltooid is.
- Wanneer er ruiten worden gewassen in de buurt van de automatisering, dient u de bedieningsinrichtingen, indien deze van het automatische type zijn, niet te activeren. Koppel ook de elektrische voeding af.
- Controleer de automatisering regelmatig om na te gaan of er onbalans of tekenen van slijtage of schade aan de kabels en de veren (indien deze laatste aanwezig zijn) te zien zijn. Gebruik de automatisering niet als deze afgesteld of gerepareerd moet worden; laat het verhelpen van dergelijke problemen uitsluitend over aan gespecialiseerd technisch personeel.

## **2 BESCHRIJVING VAN HET PRODUCT EN GEBRUIKSBESTEMMING**

Het product is een buismotor die bestemd is voor het automatiseren van een rolluik, een zonwering of een zonnescerm. **Elk willekeurig ander gebruik is verboden! De fabrikant is niet aansprakelijk voor schade die het gevolg is van een oneigenlijk gebruik van het product, dat wil zeggen een gebruik dat afwijkt van wat in deze handleiding is beschreven.**

Het product heeft de volgende kenmerken:

- het wordt gevoed via het elektriciteitsnet (zie compatibiliteit op het etiket op de motor);
- het is in staat zonwering of rolluik te laten stijgen en dalen via op de wand geïnstalleerde drukknoppen (niet in de verpakking aanwezig);
- is voorzien van een elektromechanisch systeem dat automatisch de stroomtoevoer onderbreekt wanneer het rolelement de ingestelde eindposities bereikt (**afb. 3**): positie "0" (rolelement volledig opgerold) en positie "1" (rolelement volledig afgerold);
- de buismotor wordt in zijn geheel binnen de rol van rolluik of zonwering geïnstalleerd en het buitenvlak van dit product kan rechtstreeks op de zijkant van de kast of met behulp van de speciale steunbeugels (niet in de verpakking aanwezig) worden gemonteerd;
- is ontworpen voor gebruik in woonhuizen, met andere woorden, niet voor continu gebruik. Garandeert in elk geval een ononderbroken werkingstijd van maximaal 4 minuten;
- is voorzien van een thermische beveiliging die, in geval van oververhitting als gevolg van te intensief gebruik van de automatisering, de elektrische stroomtoevoer automatisch onderbreekt en deze herstelt zo gauw de temperatuur weer binnen het normale bereik ligt.

## **3 INSTALLATIE VAN HET PRODUCT**

### **3.1 • Controles vooraf – gebruikslimieten**

**Let op! – Alvorens tot installatie over te gaan, eerst de volgende punten controleren.**

- Dit product bestaat in verschillende uitvoeringen, en elk van deze uitvoering heeft een bepaald motorkoppel. Elk van deze producten is bestemd voor het automatiseren van rolelementen met bepaalde kenmerken voor wat betreft afmetingen en gewicht. Controleer dus, voor de installatie, of de eigenschappen van deze motor (motorkoppel, draaisnelheid en werkingstijd) geschikt zijn voor de automatisering van uw rolelement. **Let op! - Installeer geen motor met een hogere motorkoppelcapaciteit dan welke nodig is om uw rolelement aan te drijven.**

Controleer de diameter van de wikkelrol. Deze moet worden gekozen op basis van de motorkoppel, en wel op de volgende wijze:

- voor motoren van maat "M" ( $\varnothing = 45$  mm) en koppel tot en met 30 Nm moet de binnendiameter van de wikkelrol minimaal 52 mm zijn;
- voor motoren van maat "M" ( $\varnothing = 45$  mm) en koppel groter dan 30 Nm moet de binnendiameter van de wikkelrol minimaal 60 mm zijn.

### **3.2 • Installatie van de buismotor**

Om het product te installeren, volgt u de fasen die zijn toegelicht in **afb. 5** en neem de volgende **aanbevelingen** in acht:

- Een verkeerde installatie kan ernstig letsel veroorzaken.

## **4 ELEKTRISCHE AANSLUITINGEN**

### **4.1 • Installatie van de beveiligingsinrichtingen in het elektrische voedingsnet**

In overeenstemming met de regels die op de elektrische installatie betrekking hebben, is het nodig om in het net dat de motor voedt een veiligheidsvoorziening tegen kortsluiting op te nemen alsmede een voorziening voor de afsluiting van het elektriciteitsnet.

**Let op! – De voorziening voor de afsluiting van het net moet een volledige afsluiting van de voeding mogelijk maken onder de omstandigheden die vastgesteld zijn door overspanningscategorie III.**

De voorziening voor de afsluiting moet opgesteld zijn in het zicht van de automatisering. Is deze voorziening niet zichtbaar dan moet een systeem aanwezig zijn die een eventuele onverhoeds hernieuwde of niet geautoriseerde inschakeling van de voeding blokkeert zodat ieder gevaar wordt weggenomen.

**N.B.** – De twee voorzieningen maken geen deel uit van de verpakking.

## 4.2 • Installatie van een wandknoppenpaneel

### Waarschuwingen:

- Breng het knoppenpaneel in positie in het zicht van het rolluik maar ver van diens bewegende delen.
- Breng het knoppenpaneel in positie op de zijde van het rolluik waar ook de elektrische kabel aanwezig is die van de buismotor afkomstig is, alsmede de voedingskabel die van het elektriciteitsnet afkomstig is.
- Breng de knoppen in positie op een hoogte van 1,5 m van de vloer.

## 4.3 • Aansluiting van de motor op een bedieningsdrukknoppenpaneel en op het elektriciteitsnet

### Let op!

- Een verkeerde aansluiting kan defecten of gevaarlijke situaties veroorzaken; neem de instructies die in deze paragraaf staan dus strikt in acht.
- Als de voedingskabel beschadigd is, kan het product niet langer gebruikt worden; de kabel kan namelijk niet vervangen worden. Neem in dit geval contact op met de installateur/fabrikant.

Vanuit elektrisch oogpunt moet de motor permanent gevoed worden via een permanente aansluiting op het elektrische distributienet (zie compatibiliteit op het etiket op de motor). Om de motor aan te sluiten aan een bedieningspaneel en het elektriciteitsnet, zie **afb. 4**. De geleiders van de verbindingkabel hebben de volgende toepassing:

- **bruin** = Elektrische stijg- of daalfase.
- **zwart** = Elektrische stijg- of daalfase.
- **blauwe kleur** = Gemeenschappelijk (gewoonlijke aangesloten op de Nulleider).
- **groen-gele kleur** = Aarde (equipotentiaalverbinding ter beveiliging).

## 4.4 • Koppeling van de Stijg- en Daalbewegingen aan de respectievelijke bedieningsknoppen

Na afloop van de aansluitwerkzaamheden, spanning aan de motor geven en controleren of de Stijg- en Daalbewegingen correct aan de respectievelijke bedieningsknoppen zijn gekoppeld. Als dit niet zo is, dient u de aansluiting tussen de **Bruine** en **Zwarte** geleiders om te draaien.



# 5

## AFSTELLING VAN DE EINDSCHAKELAARS

### 5.1 • De eindposities van de openings- en de sluitbeweging

Gedurende de beweging omhoog en omlaag zal de motor het rolelement automatisch stoppen op het moment dat dit de eindposities bereikt (**afb. 3**): positie **“0”** (rolelement volledig opgerold) en positie **“1”** (rolelement volledig afgerold). In de fabriek worden deze posities bij benadering ingesteld, om ze aan te passen aan de specifieke afmetingen van uw rolelement, volgt u de hieronder beschreven procedure.

### 5.2 • Hoe eerst de eindpositie **“0”** en vervolgens de eindpositie **“1”** in te stellen

**01.** Zet het rolelement in positie **“1”**.

#### **Bepaal de combinatie van de stelschroeven en de bijbehorende eindposities:**

**02.** Ga voor het rolelement staan en observeer:

- a)** op welk uiteinde van de rol bevinden zich de stelschroeven van de eindposities, rechts of links?
- b)** bevindt het afgerolde gedeelte van het rolelement zich voor of achter de rol.

**03.** Observeer vervolgens **afb. 6** en bepaal welk van de getoonde schema's overeenkomt met de situatie a) en b) zoals u die op uw installatie heeft geobserveerd.  
**Heel belangrijk – Het gevonden schema kent aan iedere stelschroef een bepaalde af te stellen eindpositie toe.**

#### **Afstellen van de eindpositie **“0”**:**

**04.** Bedien het rolelement zodat dit zich naar de positie **“0”** beweegt en wacht tot de motor stopt door de activering van de in de fabriek voorinstelde eindpositie.

**Let op!** – Indien het rolelement het punt, waar u de eindpositie “0” wilt instellen, overschrijdt, stopt u de beweging; laat het rolelement vervolgens terugkeren in de uitgangspositie; draai de bij de eindpositie “0” horende stelschroef een aantal slagen in de richting van het teken “-” en herhaal de procedure tot slot vanaf punt 04.

- 05.** Draai de stelschroef van de eindpositie “0” een beetje per keer in de richting van het teken “+” tot u de gewenste stoppositie “0” heeft verkregen. **Opmerking** - bij iedere slag van de schroef beweegt de motor, om in de nieuwe positie tot stilstand te komen.

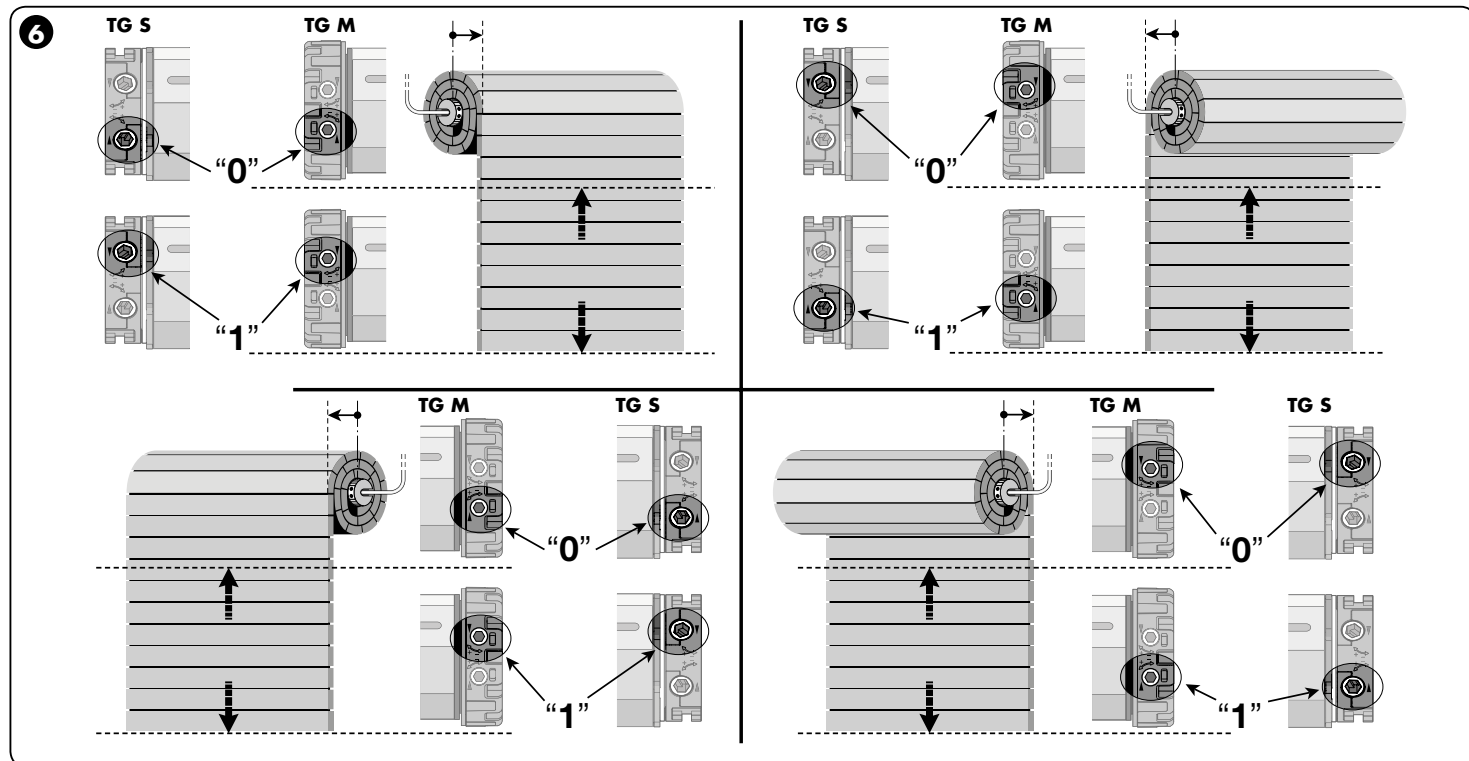
**Afstellen van de eindpositie “1”:**

- 06.** Draai de stelschroef van de eindpositie “1” in de richting van het teken “-”.

- 07.** Bedien het rolelement zodat dit zich naar de positie “1” beweegt en wacht tot de motor stopt door de activering van de in de fabriek voorgestelde eindpositie.

**Let op!** – Indien het rolelement het punt, waar u de eindpositie “1” wilt instellen, overschrijdt, stopt u de beweging; laat het rolelement vervolgens terugkeren in de uitgangspositie; draai de bij de eindpositie “1” horende stelschroef een aantal slagen in de richting van het teken “-” en herhaal de procedure tot slot vanaf punt 07.

- 08.** Draai de stelschroef van de eindpositie “1” een beetje per keer in de richting van het teken “+” tot u de gewenste stoppositie “1” heeft verkregen. **Opmerking** - bij iedere slag van de schroef beweegt de motor, om in de nieuwe positie tot stilstand te komen.



**6**

## AFDANKEN VAN HET PRODUCT

**Dit product maakt integraal deel uit van de automatisering en moet dan ook samen met de automatisering worden afgedankt.**

De ontmantelingwerkzaamheden aan het eind van de levensduur van dit product moeten, net als de installatiewerkzaamheden, worden uitgevoerd door gekwalificeerd personeel.

Dit product is opgebouwd uit verschillende soorten materiaal: sommigen hiervan kunnen gerecycled worden, anderen moeten als afval worden verwerkt. Win informatie in over de recycling- of afvalverwerkingsystemen die voor deze productcategorie zijn voorzien door de in uw land geldende voorschriften.

**Let op!** – Sommige delen van het product kunnen vervuilende of gevaarlijke substanties bevatten die, indien ze in het milieu terechtkomen, schadelijke effecten kunnen hebben op de omgeving of op de gezondheid van personen. Zoals aangegeven door het symbool hiernaast, is het verboden dit product met het gewone huisvuil weg te gooien. Volg een “gescheiden afvalverwerking” volgens de methodes die voorzien zijn door de in uw land geldende voorschriften, of lever het product weer in bij de verkoper op het moment dat u een nieuw gelijksoortig product aanschaft.



**Let op!** – De plaatselijk geldende voorschriften kunnen zware sancties voorzien in het geval u de voorschriften voor afvalverwerking van dit product niet opvolgt.

**7**

## WAT TE DOEN ALS.... (richtsnoer voor het oplossen van problemen)

**De motor niet draait terwijl er wel een aansturing voor een Stijg- of Daalfase werd gegeven:**

- 1) controleer of de thermische beveiliging geactiveerd is: in dit geval is het voldoende te wachten tot de motor is afgekoeld;
  - 2) controleer of er netspanning is en of deze overeenkomt met de op het motorplaatje vermelde waarden;
  - 3) controleer of de twee eindschakelaars als gevolg van een verkeerde afstelling tegelijkertijd actief worden; in dit geval draait u de twee stelschroeven enige slagen in de richting van het teken “+”.
- Als de motor na deze controles nog steeds niet draait, dient u contact op te nemen met de technische service van Nice ([assistenza@niceforyou.com](mailto:assistenza@niceforyou.com)).





## TECHNISCHE KENMERKEN

● **Voedingsspanning en frequentie; stroom en vermogen; koppel en snelheid:** zie de technische gegevens op het etiket van elk model. ● **Diameter van de motor:** TG S 35 mm; TG M 45 mm. ● **Nominale werkingstijd:** maximaal 4 minuten. ● **Beschermingsklasse:** IP 44 (buismotor). ● **Werkingsstemperatuur:** -20°C (minimaal). ● **Lengte verbindingkabel:** TG S 2 m; TG M 2,5 m.

### Opmerkingen:

- Alle vermelde technische kenmerken hebben betrekking op een omgevingstemperatuur van 20°C (± 5°C).
- De fabrikant behoudt zich het recht voor om, indien dit noodzakelijk wordt geacht, op elk willekeurig moment wijzigingen aan het product door te voeren waarbij hoe dan ook de functionaliteit en de gebruiksbestemming ervan gelijk blijven.



## EU-VERKLARING VAN OVEREENSTEMMING

**Opmerking:** De inhoud van deze verklaring komt overeen met hetgeen is vastgelegd in het officiële document dat is gedeponereerd ten kantore van Nice S.p.A., en in het bijzonder met de laatste herziene en beschikbare versie ervan, vóór het drukken van deze handleiding. De hier gepresenteerde tekst is herzien om redactionele redenen. Een copie van de oorspronkelijke verklaring kan worden aangevraagd bij Nice S.p.A. (TV) Italy.

**Nummer verklaring:** 486/TTGO **Revisie:** 7 **Taal:** NL

### Naam fabrikant:

Nice S.p.A.

### Adres:

Via Pezza Alta n°13, 31046 Rustignè di Oderzo (TV) Italy

### Type product:

Buismotor voor rolluiken en zonneschermen

### Model / Type:

TGM517, TGM517, TGM817, TGM817, TGM1517, TG M 1517, TG M 1517, TG M 3017, TG M 3017, TG M 3017, TG M 4017, TG M 4017, TG M 4017, TG M 5017, TG M 5017, TG M 5017, TG S 619, TG S 1014

### Accessoires:

-

Ondergetekende Roberto Griffa, verklaart onder eigen verantwoordelijkheid als Chief Executive Officer dat de producten voldoen aan de vereisten van de hierop volgende richtlijnen:

- Richtlijn 2014/35/UE (LVD)  
EN 60335-1:2002 + A1:2004 + A11:2004 + A12:2006 + A2:2006 + A13:2008 + A14:2010 + A15:2011  
EN 60335-2-97:2006+A11:2008+A2:2010  
EN 62233:2008
- Richtlijn 2014/30/UE (EMC)  
EN 55014-1:2006+A1:2009+A2:2011  
EN 55014-2:2015  
EN 61000-3-2:2014  
EN 61000-3-3:2013

Oderzo, 29 mei 2017

Ing. **Roberto Griffa**  
(Chief Executive Officer)





**Nice S.p.A.**  
Via Pezza Alta, 13  
31046 Oderzo TV Italy  
[info@niceforyou.com](mailto:info@niceforyou.com)